

# I/O module - IB ST 24 DI 16/4



2754338

<https://www.phoenixcontact.com/gb/products/2754338>

Please be informed that the data shown in this PDF document is generated from our Online Catalog. Please find the complete data in the user documentation. Our General Terms of Use for Downloads are valid.



INTERBUS-ST digital input module, 16 inputs, 24 V DC, 4-conductor connection technology, IP20 degree of protection, consisting of: terminal part with screw connection and module electronics

## Product Description

INTERBUS ST digital input modules

The digital INTERBUS input modules are designed for the connection of digital control signals, such as those generated by switches, limit switches, electronic proximity switches, and photoelectric switches.

The scope of functions provided by the standard models covers the majority of applications.

All the typical advantages of INTERBUS ST handling, such as multi-wire connection method and plug-in electronics are available.

## Your advantages

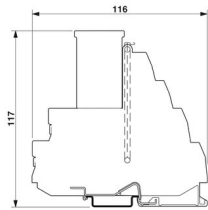
- 16 digital inputs
- Connection of sensors in 2-, 3-, and 4-conductor technology
- Short-circuit protection for the sensor supply
- Diagnostic and status indicators

## Commercial Data

Item number	2754338
Packing unit	1 pc
Minimum order quantity	1 pc
Sales Key	DRI331
Product Key	DRI331
Catalog Page	Page 165 (C-6-2019)
GTIN	4017918063092
Weight per Piece (including packing)	740 g
Weight per Piece (excluding packing)	735.4 g
Customs tariff number	85176200
Country of origin	DE

## Technical Data

### Dimensions

Dimensional drawing	
Width	118 mm
Height	117 mm
Depth	116 mm

### Interfaces

#### ST local bus

Connection method	ST local bus connector
Transmission speed	500 kbps

### Input data

#### Digital

Input name	Digital inputs
Number of inputs	16
Connection method	Screw connection
Connection technology	4-conductor
Input voltage	24 V DC
Input voltage range "0" signal	-30 V DC ... 5 V DC
Input voltage range "1" signal	13 V DC ... 30 V DC
Nominal input current at $U_{IN}$	typ. 7 mA (per channel)
Typical response time	3 ms (typical)

### Product properties

Type	modular INTERBUS Smart Terminal
Product type	I/O component
Mounting position	Horizontal DIN rail
No. of channels	16

### Electrical properties

No. of channels	16
Supply: Module electronics	
Supply voltage	24 V DC

Supply voltage range	20 V DC ... 30 V DC (including ripple)
Current consumption	typ. 100 mA
Ripple	3.6 V <sub>pp</sub> within the allowable voltage range

## Connection data

### Connection technology

Connection name	Termination block
-----------------	-------------------

### Conductor connection

Connection method	Screw connection
Conductor cross section solid	0.2 mm <sup>2</sup> ... 2.5 mm <sup>2</sup>
Conductor cross section flexible	0.2 mm <sup>2</sup> ... 2.5 mm <sup>2</sup>
Conductor cross section AWG	24 ... 12
Stripping length	8 mm

### Termination block

Connection method	Screw connection
Conductor cross section, rigid	0.2 mm <sup>2</sup> ... 2.5 mm <sup>2</sup>
Conductor cross section, flexible	0.2 mm <sup>2</sup> ... 2.5 mm <sup>2</sup>
Conductor cross section AWG	24 ... 12
Stripping length	8 mm

## Environmental and real-life conditions

### Ambient conditions

Ambient temperature (operation)	0 °C ... 55 °C
Degree of protection	IP20
Air pressure (operation)	80 kPa ... 108 kPa (up to 2000 m above sea level)
Air pressure (storage/transport)	80 kPa ... 108 kPa (up to 2000 m above sea level)
Ambient temperature (storage/transport)	-20 °C ... 70 °C
Permissible humidity (operation)	75 % (on average, 85% infrequently, non-condensing)
Permissible humidity (storage/transport)	75 % (on average, 85% infrequently, non-condensing)

## Standards and regulations

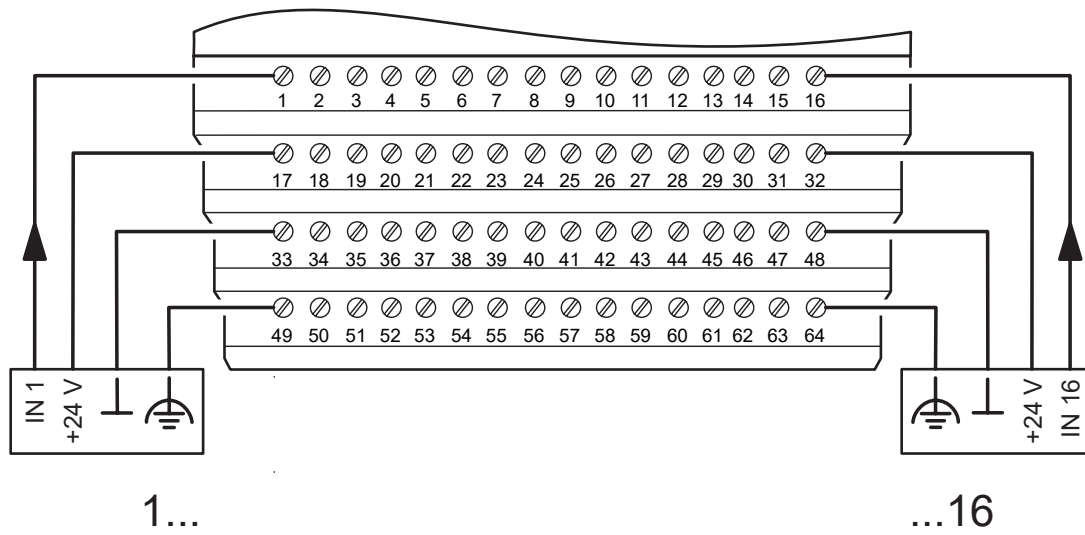
Protection class	III (IEC 61140, EN 61140, VDE 0140-1)
------------------	---------------------------------------

## Mounting

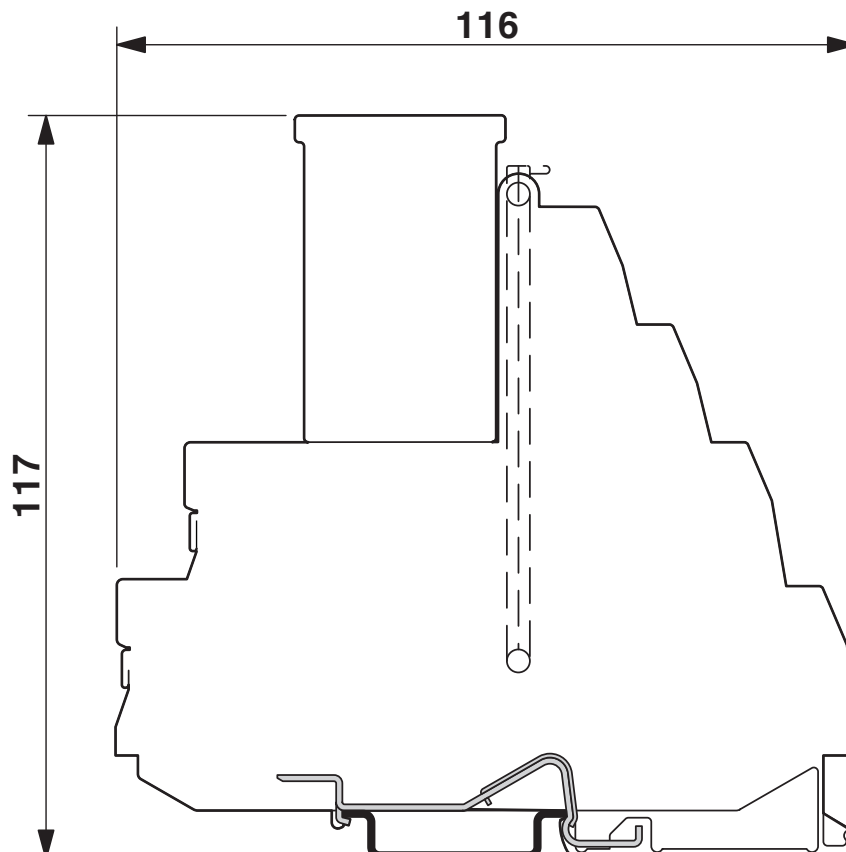
Mounting type	DIN rail mounting
Mounting position	Horizontal DIN rail

## Drawings

### Connection diagram



### Dimensional drawing




# I/O module - IB ST 24 DI 16/4



2754338

<https://www.phoenixcontact.com/gb/products/2754338>

## Approvals

 <b>cUL Recognized</b> Approval ID: FILE E 140324				
	Nominal Voltage $U_N$	Nominal Current $I_N$	Cross Section AWG	Cross Section $mm^2$
			30 - 12	-

 <b>UL Recognized</b> Approval ID: FILE E 140324				
	Nominal Voltage $U_N$	Nominal Current $I_N$	Cross Section AWG	Cross Section $mm^2$
			30 - 12	-

**cULus Recognized**

# I/O module - IB ST 24 DI 16/4

2754338

<https://www.phoenixcontact.com/gb/products/2754338>



## Classifications

### ECLASS

ECLASS-10.0.1	27242604
ECLASS-9.0	27242604
ECLASS-11.0	27242604

### ETIM

ETIM 8.0	EC001599
----------	----------

### UNSPSC

UNSPSC 21.0	32151600
-------------	----------

# I/O module - IB ST 24 DI 16/4

2754338

<https://www.phoenixcontact.com/gb/products/2754338>



## Environmental Product Compliance

REACH SVHC	Lead 7439-92-1
China RoHS	Environmentally Friendly Use Period = 50 years
	For information on hazardous substances, refer to the manufacturer's declaration available under "Downloads"

# I/O module - IB ST 24 DI 16/4

2754338

<https://www.phoenixcontact.com/gb/products/2754338>



## Accessories

### Replacement electronics module

Replacement electronics module - IB STME 24 DI 16/4 - 2754396

<https://www.phoenixcontact.com/gb/products/2754396>



Replacement module electronics for IB ST (ZF) 24 DI 16/4

---

## Fuse

Fuse - IBS TR5 1AT - 2806600

<https://www.phoenixcontact.com/gb/products/2806600>



Replacement fuse, for INTERBUS-ST modules

# I/O module - IB ST 24 DI 16/4

2754338

<https://www.phoenixcontact.com/gb/products/2754338>

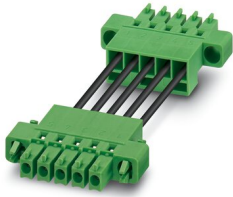


## Bridge

Bridge - IB ST LBC - 2836492

<https://www.phoenixcontact.com/gb/products/2836492>

Spare local bus cable, for INTERBUS-ST modules



---

## Insertion bridge

Insertion bridge - EB 84 IB ST BU - 2836269

<https://www.phoenixcontact.com/gb/products/2836269>

Insertion bridges, divisible, isolated comb spine, color blue, 84-pos.



# I/O module - IB ST 24 DI 16/4

2754338

<https://www.phoenixcontact.com/gb/products/2754338>



## Insertion bridge

Insertion bridge - EB 84 IB ST RD - 2836272

<https://www.phoenixcontact.com/gb/products/2836272>



Insertion bridges, divisible, isolated comb spine, color red, 84-pos.

---

Phoenix Contact 2023 © - all rights reserved

<https://www.phoenixcontact.com>

PHOENIX CONTACT Ltd

Halesfield 13, Telford

Shropshire, TF7 4PG

01952 681700

[info@phoenixcontact.co.uk](mailto:info@phoenixcontact.co.uk)