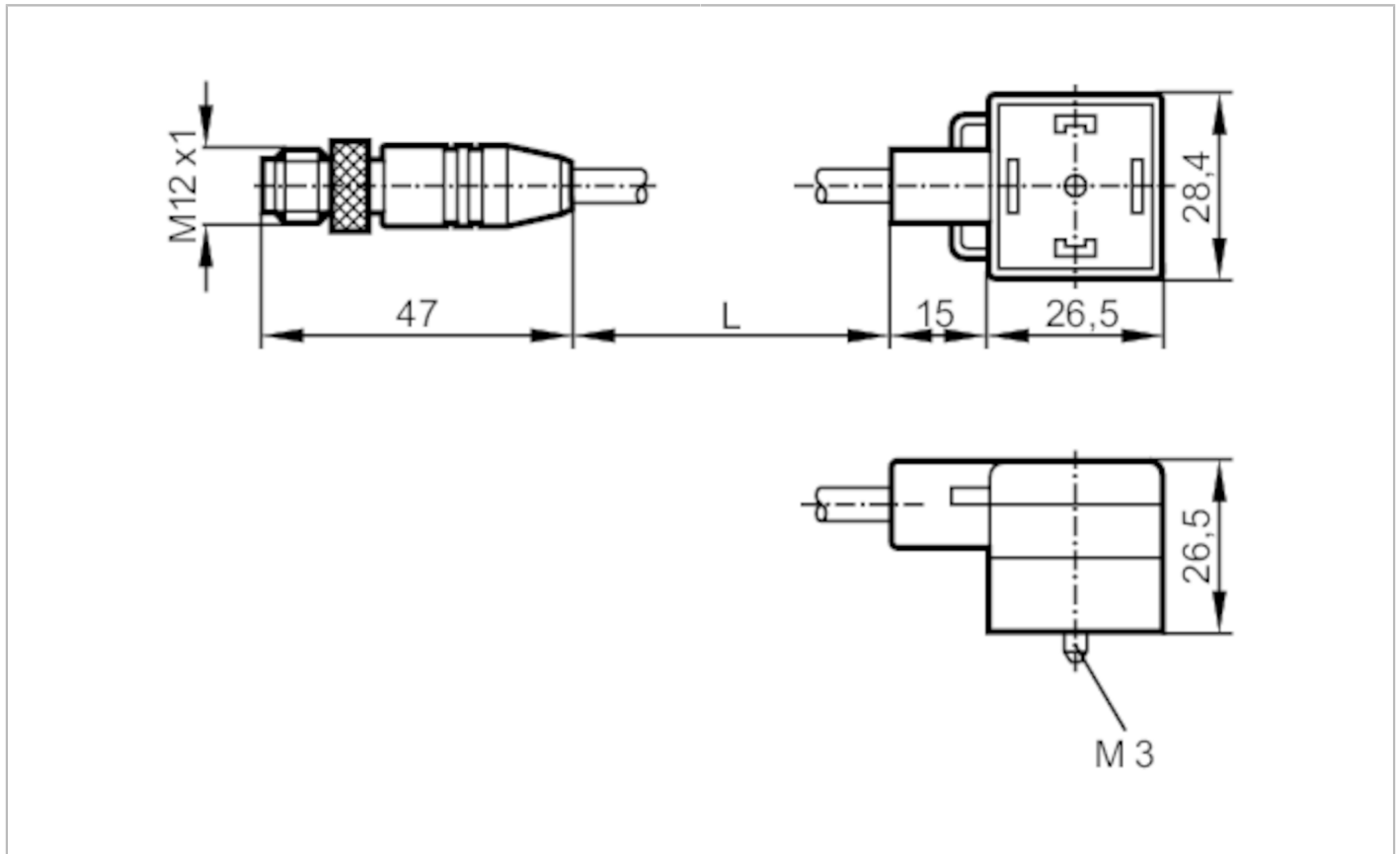


E11277



Patchcords with valve plug

VVDAA040MSS0,75H03STGH020MSS



Application	
Application	current measurement
Electrical data	
Operating voltage [V]	< 24 AC/DC
Operating conditions	
Ambient temperature [°C]	-40...90
Protection	IP 67; IP 69K
Mechanical data	
Weight [g]	85
Material	housing: TPU (urethane)
Molded-body material	TPU (urethane)
Material nut	brass, nickel-plated
Accessories	
Items supplied	screw: 1 panel for labelling: 1
Remarks	
Pack quantity	1 pcs.

E11277



Patchcords with valve plug

VVDAA040MSS0,75H03STGH020MSS

Electrical connection - plug

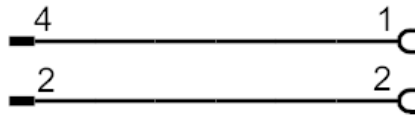
Connector: 1 x M12, straight; coding: A; Moulded body: TPU (urethane); Locking: brass, nickel-plated; Tightening torque: 0.5 Nm



Electrical connection

Cable: 0.75 m, PUR; 2 x 0.75 mm²

Connection



Electrical connection - Socket

Connector: 1 x valve type A DIN (EN 175301-803), angled; Moulded body: TPU (urethane); Locking: brass, nickel-plated; Tightening torque: 0.5 Nm

