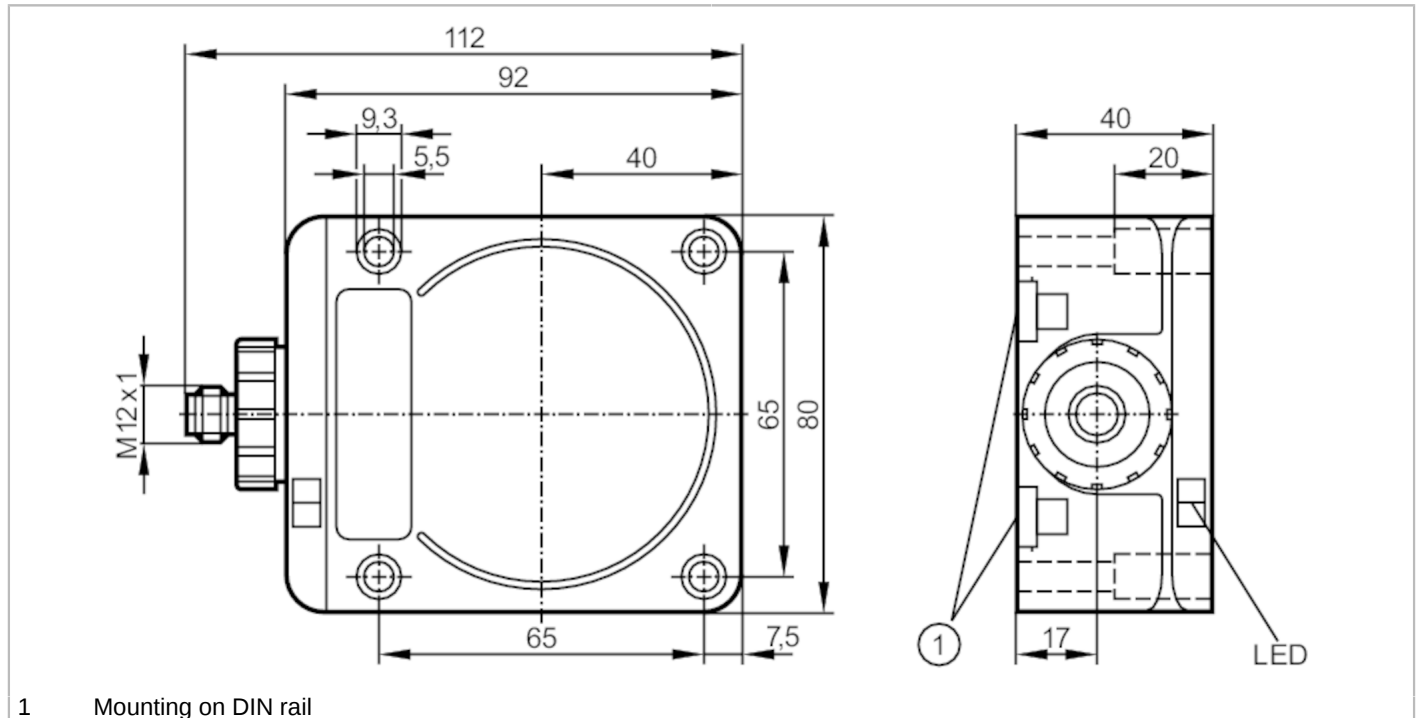


ID5058



Inductive sensor

IDC4050BCPKG/2LED/US-100-DPA



Product characteristics		
Electrical design		PNP
Output function		complementary
Sensing range	[mm]	50
Housing		rectangular
Dimensions	[mm]	92 x 80 x 40
Electrical data		
Operating voltage	[V]	10...36 DC
Current consumption	[mA]	20; (24 V)
Protection class		II
Reverse polarity protection		yes
Outputs		
Electrical design		PNP
Output function		complementary
Max. voltage drop switching output DC	[V]	2.5
Permanent current rating of switching output DC	[mA]	250
Switching frequency DC	[Hz]	70
Short-circuit protection		yes
Type of short-circuit protection		yes (non-latching)
Overload protection		yes
Monitoring range		
Sensing range	[mm]	50

ID5058



Inductive sensor

IDC4050BCPKG/2LED/US-100-DPA

Operating distance [mm] 0...40.5; (mounted flush with mild steel (ST37))

Accuracy / deviations

Correction factor	steel: 1 / stainless steel: 0.85 / brass: 0.48 / aluminum: 0.46 / copper: 0.38
Hysteresis [% of Sr]	3...20
Switch-point drift [% of Sr]	-15...15

Operating conditions

Ambient temperature [°C]	-25...70
Protection	IP 67

Tests / approvals

EMC	EN 60947-5-2
MTTF [years]	1162

Mechanical data

Weight [g]	423
Housing	rectangular
Mounting	flush mountable
Type of mounting	Mounting on DIN rail; (TH35 (EN 60715))
Dimensions [mm]	92 x 80 x 40
Material	PPE; brass white bronze coated; diecast zinc

Displays / operating elements

Display	Switching status	1 x LED, yellow
	Power	1 x LED, green

Accessories

Items supplied sealing plug: 1

Remarks

Pack quantity 1 pcs.

Electrical connection - plug

Connector: 1 x M12; coding: A



ID5058



Inductive sensor

IDC4050BCPKG/2LED/US-100-DPA

Connection

