

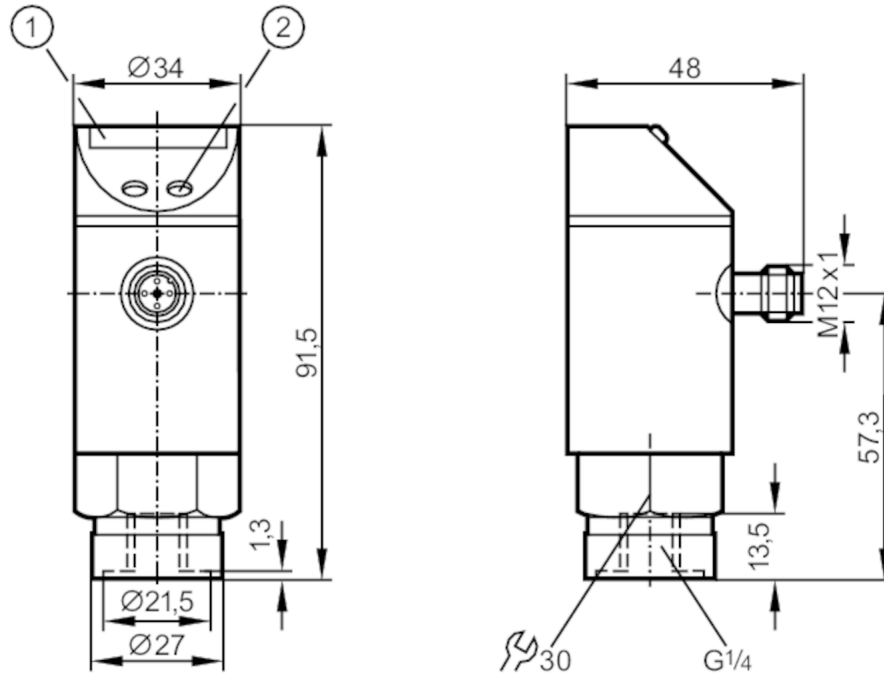
PZ9984



Pressure sensor with LED bar display

PZ-010KRBR14-HFPKG/US/V

Article no longer available - archive entry



- 1 LED bar display
- 2 programming button



Product characteristics

Number of inputs and outputs	Number of digital outputs: 1
Measuring range [kPa]	0...1000
Process connection	threaded connection G 1/4 internal thread

Application

Special feature	Gold-plated contacts
Application	for industrial applications
Media	liquids and gases
Medium temperature [°C]	-25...80
Min. bursting pressure [kPa]	15000
Pressure rating [kPa]	5000
Type of pressure	relative pressure

Electrical data

Operating voltage [V]	18...30 DC
Current consumption [mA]	< 50
Min. insulation resistance [MΩ]	100; (500 V DC)
Protection class	III
Reverse polarity protection	yes
Power-on delay time [s]	0.2
Integrated watchdog	yes



Pressure sensor with LED bar display

PZ-010KRBR14-HFPKG/US/V

Inputs / outputs		
Number of inputs and outputs		Number of digital outputs: 1
Outputs		
Total number of outputs		1
Output signal		switching signal
Electrical design		PNP
Number of digital outputs		1
Output function		normally open / normally closed; (parameterisable)
Max. voltage drop switching output DC	[V]	2
Permanent current rating of switching output DC	[mA]	250
Switching frequency DC	[Hz]	10
Short-circuit protection		yes
Type of short-circuit protection		pulsed
Overload protection		yes
Measuring/setting range		
Measuring range	[kPa]	0...1000
Set point SP	[kPa]	50...1000
Reset point rP	[kPa]	30...980
In steps of	[kPa]	10
Note on hysteresis		adjustable
Accuracy / deviations		
Switch point accuracy [% of the final value]		$< \pm 2,0$
Repeatability [% of the final value]		$< \pm 0,25$; (with temperature fluctuations < 10 K)
Temperature drift per 10 K		$< \pm 0.3$
Software / programming		
Adjustment of the switch point		programming button
Operating conditions		
Ambient temperature	[°C]	-25...80
Storage temperature	[°C]	-40...100
Protection		IP 65
Tests / approvals		
EMC	EN 61000-4-2 ESD	4 kV CD / 8 kV AD
	EN 61000-4-3 HF radiated	10 V/m
	EN 61000-4-4 Burst	2 kV
	EN 61000-4-6 HF conducted	10 V
Shock resistance	DIN IEC 68-2-27	50 g (11 ms)
Vibration resistance	DIN IEC 68-2-6	20 g (10...2000 Hz)
Mechanical data		
Housing		cylindrical

PZ9984



Pressure sensor with LED bar display

PZ-010KRBR14-HFPKG/US/V

Dimensions [mm]	Ø 34 / L = 91.5
Materials	EPDM/X; FKM; NBR; PA; PBT; PC; PTFE; stainless steel (304/1.4301)
Materials (wetted parts)	FKM; ceramics; stainless steel (303/1.4305)
Min. pressure cycles	100 million
Process connection	threaded connection G 1/4 internal thread

Displays / operating elements

Display	switching status	LED, yellow
	measured values	10 x LED, green Resolution 10% of the final value

Remarks

Pack quantity	1 pcs.
---------------	--------

Electrical connection

Connector: 1 x M12; coding: A; Contacts: gold-plated

