

Contact block, 22 and 30 mm, 1 NO + 1 NC, screw terminal, front plate mounting !!! Phased-out product !!! Successor is SIRIUS ACT 3SU1 Preferred successor type is >>3SU1400-1AA10-1FA0<<



General technical data:

Product type designation	Contact block
Design of the product	Miscellaneous

Certificates/ approvals:

General Product Approval	Declaration of Conformity
--------------------------	---------------------------



[Miscellaneous](#)

other

[Environmental Confirmations](#)

[Confirmation](#)

Further information

**Information- and Downloadcenter (Catalogs, Brochures,...)**

<http://www.siemens.com/industrial-controls/catalogs>

**Industry Mall (Online ordering system)**

<https://mall.industry.siemens.com/mall/en/en/Catalog/product?mfb=3SB1400-0A>

**Cax online generator**

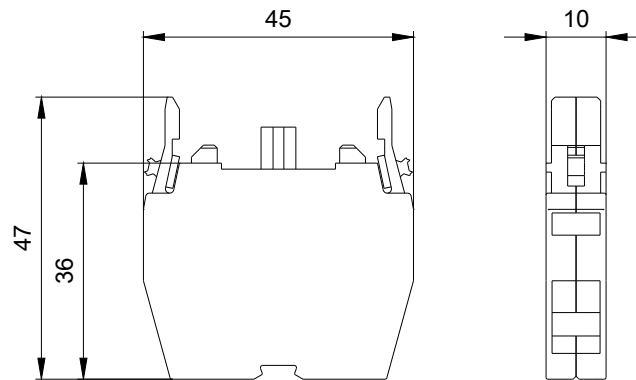
<http://support.automation.siemens.com/WW/CAXorder/default.aspx?lang=en&mfb=3SB1400-0A>

**Service&Support (Manuals, Certificates, Characteristics, FAQs,...)**

<https://support.industry.siemens.com/cs/ww/en/ps/3SB1400-0A>

**Image database (product images, 2D dimension drawings, 3D models, device circuit diagrams, EPLAN macros, ...)**

[http://www.automation.siemens.com/bilddb/cax\\_de.aspx?mfb=3SB1400-0A&lang=en](http://www.automation.siemens.com/bilddb/cax_de.aspx?mfb=3SB1400-0A&lang=en)



last modified:

04/29/2019