

PN5004



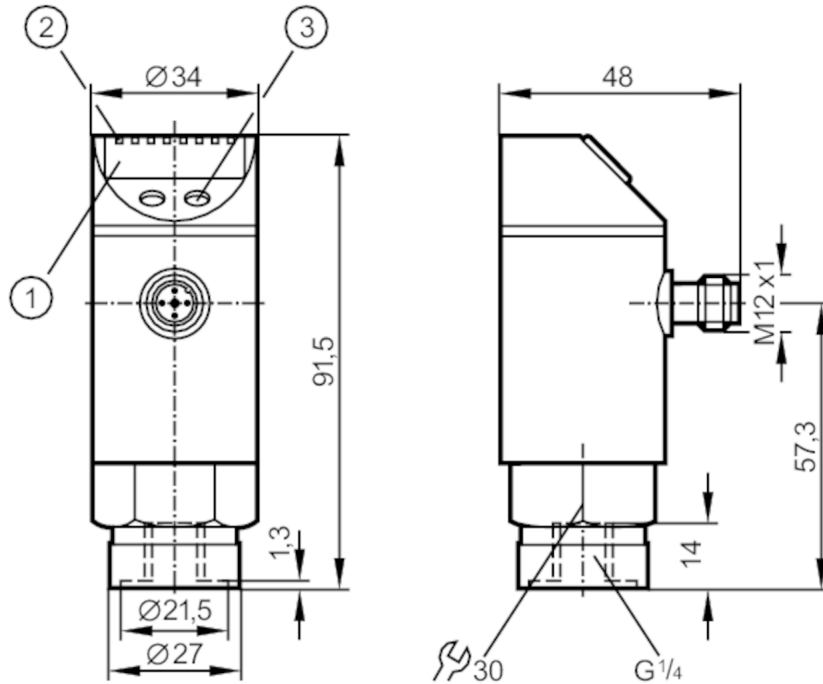
Pressure sensor with display

PN-010-RBR14-HFPKG/US/ IV

Article no longer available - archive entry

Alternative articles: PN7094

When selecting an alternative article and accessories please note that technical data may differ!



- 1 alphanumeric display 4-digit
- 2 LEDs Display unit / switching status
- 3 programming button



Product characteristics

Number of inputs and outputs	Number of digital outputs: 1			
Measuring range	-1...10 bar	-14.5...145 psi	-100...1000 kPa	-0.1...1 MPa
Process connection	threaded connection G 1/4 internal thread			

Application

Special feature	Gold-plated contacts		
Application	for industrial applications		
Media	liquids and gases		
Medium temperature [°C]	-25...80		
Min. bursting pressure	150 bar	2175 psi	15 MPa
Pressure rating	75 bar	1087 psi	7.5 MPa
Type of pressure	relative pressure		

Electrical data

Operating voltage [V]	18...36 DC; (to SELV/PELV)
Current consumption [mA]	< 50
Min. insulation resistance [MΩ]	100; (500 V DC)
Protection class	III

PN5004



Pressure sensor with display

PN-010-RBR14-HFPKG/US/ IV

Reverse polarity protection	yes
Overvoltage protection	yes; (< 40 V)
Power-on delay time [s]	0.3
Integrated watchdog	yes

Inputs / outputs

Number of inputs and outputs	Number of digital outputs: 1
------------------------------	------------------------------

Outputs

Total number of outputs	1
Output signal	switching signal
Electrical design	PNP
Number of digital outputs	1
Output function	normally open / normally closed; (parameterisable)
Max. voltage drop switching output DC [V]	2
Permanent current rating of switching output DC [mA]	250
Switching frequency DC [Hz]	< 170
Short-circuit protection	yes
Type of short-circuit protection	pulsed

Measuring/setting range

Measuring range	-1...10 bar	-14.5...145 psi	-100...1000 kPa	-0.1...1 MPa
Set point SP	-0.9...10 bar	-12...145 psi		-0.09...1 MPa
Reset point rP	-0.95...9.95 bar	-13...144 psi		-0.095...0.995 MPa
In steps of	0.05 bar	1 psi		0.005 MPa
Factory setting		SP1 = 2.50 bar		rP1 = 2.30 bar

Accuracy / deviations

Switch point accuracy [% of the span]	< ± 0,5
Repeatability [% of the span]	< ± 0,1; (with temperature fluctuations < 10 K)
Characteristics deviation [% of the span]	< ± 0,25 (BFSL) / < ± 0,5 (LS); (BFSL = Best Fit Straight Line; LS = limit value setting)
Hysteresis deviation [% of the span]	< ± 0,25
Long-term stability [% of the span]	< ± 0,05; (per 6 months)
Temperature coefficient zero point [% of the span / 10 K]	0,2; (-20...80 °C)
Temperature coefficient span [% of the span / 10 K]	0,2; (-20...80 °C)

Response times

Delay time programmable dS, dr [s]	0; 0,2...50
------------------------------------	-------------

Software / programming

Parameter setting options	hysteresis / window; normally open / normally closed; switch-on/switch-off delay; Damping; Display unit
---------------------------	---

PN5004



Pressure sensor with display

PN-010-RBR14-HFPKG/US/ IV

Operating conditions		
Ambient temperature	[°C]	-25...80
Storage temperature	[°C]	-40...100
Protection		IP 65

Tests / approvals		
EMC	EN 61000-4-2 ESD	4 kV CD / 8 kV AD
	EN 61000-4-3 HF radiated	10 V/m
	EN 61000-4-4 Burst	2 kV
	EN 61000-4-5 Surge	0,5/1 kV
	EN 61000-4-6 HF conducted	10 V
Shock resistance	DIN IEC 68-2-27	50 g (11 ms)
Vibration resistance	DIN IEC 68-2-6	20 g (10...2000 Hz)

Mechanical data		
Weight	[g]	258.6
Housing		cylindrical
Dimensions	[mm]	Ø 34 / L = 91.5
Materials		stainless steel (304/1.4301); stainless steel (316L/1.4404); PC; PBT; PEI; FKM; PTFE
Materials (wetted parts)		stainless steel (303/1.4305); ceramics; FKM
Min. pressure cycles		100 million
Process connection		threaded connection G 1/4 internal thread

Displays / operating elements		
Display	Display unit	3 x LED, green
	switching status	LED, yellow
	function display	alphanumeric display, 4-digit
	measured values	alphanumeric display, 4-digit

Remarks		
Pack quantity		1 pcs.

Electrical connection

Connector: 1 x M12; coding: A; Contacts: gold-plated



PN5004



Pressure sensor with display

PN-010-RBR14-HFPKG/US/ IV

Connection

