

SDG107



Compressed air meter

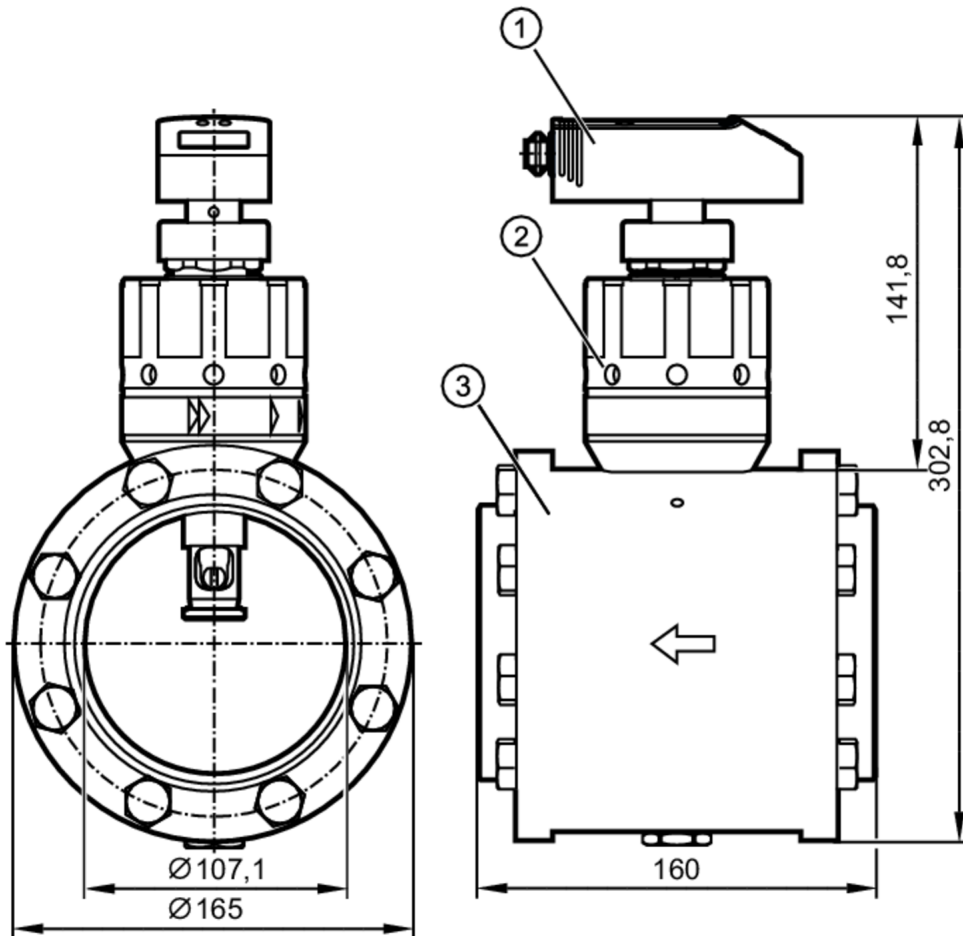
SDG4"/METRIS PB DN100 SS LM

phase-out article

Alternative articles: SDG550

When selecting an alternative article and accessories please note that technical data may differ!

please note that sensors with a production date before 2010 have a modified pitch circle



- 1 Flow sensor
- 2 quick-change fitting
- 3 pipe section



Product characteristics

Number of inputs and outputs	Number of digital outputs: 2; Number of analogue outputs: 1
Measuring range [m ³ /h]	15...4400
Process connection	flange DN100 according to: DIN EN 10220

Application

Application	totaliser function
Media	compressed air
Note on media	air quality ISO 8573-1
	class 141
	class 344

SDG107



Compressed air meter

SDG4"/METRIS PB DN100 SS LM

Medium temperature	[°C]	0...60
Pressure rating	16 bar	1.6 MPa
Electrical data		
Operating voltage	[V]	19...30 DC
Current consumption	[mA]	< 100
Protection class		III
Reverse polarity protection		yes
Power-on delay time	[s]	0.5
Inputs / outputs		
Number of inputs and outputs		Number of digital outputs: 2; Number of analogue outputs: 1
Outputs		
Total number of outputs		2
Output signal		switching signal; analogue signal; pulse signal; (configurable)
Electrical design		PNP
Number of digital outputs		2
Output function		normally open / normally closed; (parameterisable)
Max. voltage drop switching output DC	[V]	2
Permanent current rating of switching output DC	[mA]	250; (per output)
Number of analogue outputs		1
Analogue current output	[mA]	4...20; (scalable)
Max. load	[Ω]	500
Pulse output		consumed quantity meter
Short-circuit protection		yes
Type of short-circuit protection		pulsed
Overload protection		yes
Measuring/setting range		
Measuring range	[m³/h]	15...4400
Display range	[m³/h]	0...5320
Volumetric flow quantity monitoring		
Pulse value		10 Nm³
Pulse length	[s]	0,1
Accuracy / deviations		
Flow monitoring		
Accuracy (in the measuring range)		± (3 % MW + 0,3 % MEW) / ± (6 % MW + 0,6 % MEW); (class 141 I; class 344)
Response times		
Flow monitoring		
Response time	[s]	0.1; (dAP = 0)
Operating conditions		
Ambient temperature	[°C]	0...60
Storage temperature	[°C]	-20...85

SDG107



Compressed air meter

SDG4"/METRIS PB DN100 SS LM

Max. relative air humidity [%]	90
Protection	IP 65

Tests / approvals

EMC	EN 61000-4-2 ESD	4 kV CD / 8 kV AD
	EN 61000-4-3 HF radiated	10 V/m
	EN 61000-4-4 Burst	2 kV
	EN 61000-4-6 HF conducted	10 V
Vibration resistance	DIN IEC 68-2-6	5 g (55...2000 Hz)
MTTF [years]		214

Mechanical data

Weight [g]	16003
Housing	rectangular
Dimensions [mm]	160 x 165 x 302.8
Materials	PBT-GF20; PC; PC; stainless steel (304/1.4301); FKM; pipe section: stainless steel (304/1.4301)
Materials (wetted parts)	stainless steel (316 / 1.4401); stainless steel (304/1.4301); ceramics glass passivated; PEEK; polyester; FKM; aluminium anodised; stainless steel (304/1.4301)
Process connection	flange DN100 according to: DIN EN 10220

Remarks

Remarks	MW = measured value
	MEW = Final value of the measuring range
	Measuring, display and setting ranges refer to the standard volume flow according to DIN ISO 2533.
	For information about installation and operation please see the operating instructions.
Pack quantity	1 pcs.

Electrical connection

Connector: 1 x M12; coding: A



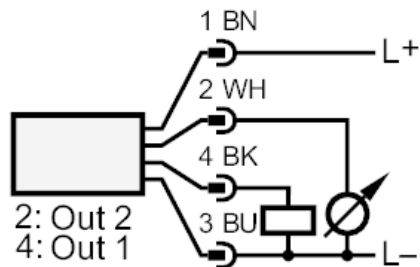
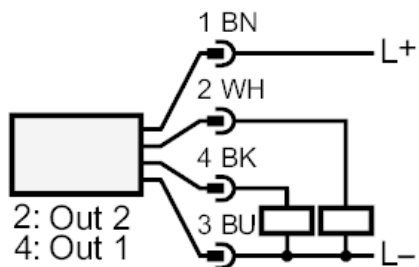
SDG107



Compressed air meter

SDG4"/METRIS PB DN100 SS LM

Connection



OUT1:	switching output Pulse output quantity meter
OUT2:	switching output input counter reset analogue output