



Automatización Eléctrica
Especialistas en Automatización

At the end of this document you will find links to products related to this catalog. You can go directly to our shop by clicking [HERE](#)

General Information

Extended Product Type:	FIT-2/4-3
Product ID:	1SNA166553R2000
EAN:	3472591665536
Catalog Description:	FIT-2/4-3 Voltage Plugs
Long Description:	FIT-2/4-3Voltage Plug-2X4 Poles- With Bre-T-2.5-Red Monoblock Cover

Categories

Products » Low Voltage Products and Systems » Connection Devices » Test Blocks » Voltage Plugs

Ordering

Minimum Order Quantity:	1 piece
Customs Tariff Number:	85369010

Dimensions

Product Net Height:	63 mm
Product Net Depth:	115 mm
Product Net Weight:	108 g
Product Net Width:	44 mm

Technical

Mounting on DIN Rail:	G32 (32 x 15 mm Mounting Rail) acc. to IEC 60715 TH35-7.5 (35 x 7.5 mm Mounting Rail) acc. to IEC 60715 TH35-15 (35 x 15 mm Mounting Rail) acc. to IEC 60715
-----------------------	--

Certificates and Declarations (Document Number)

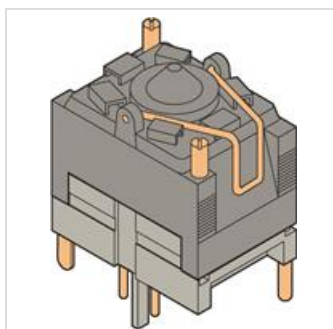
Declaration of Conformity - CE:	1SND225040C1005
EAC Certificate:	1SND160001A1100

Classifications

ETIM 4:	EC000902 - (Knife) disconnect terminal block
ETIM 5:	EC000902 - (Knife) disconnect terminal block
Object Classification Code:	X

Container Information

Package Level 1 Width:	74 mm
Package Level 1 Length:	86 mm
Package Level 1 Height:	51 mm
Package Level 1 Gross Weight:	0.108 kg
Package Level 1 EAN:	3472591665536
Package Level 2 Units:	35 piece
Package Level 2 Width:	300 mm
Package Level 2 Length:	500 mm
Package Level 2 Height:	150 mm
Package Level 3 Units:	1680 piece
Product Packing Type:	Box
Package Level 1 Units:	1 piece



Below is a list of articles with direct links to our shop Electric Automation Network where you can see:

- Quote per purchase volume in real time.
- Online documentation and datasheets of all products.
- Estimated delivery time enquiry in real time.
- Logistics systems for the shipment of materials almost anywhere in the world.
- Purchasing management, order record and tracking of shipments.

To access the product, [click on the green button.](#)

Product	Code	Reference	Product link
FIT-2/4-3 Voltage Plugs	1SNA166553R2000	FIT-2/4-3	Buy on EAN