

RO6345



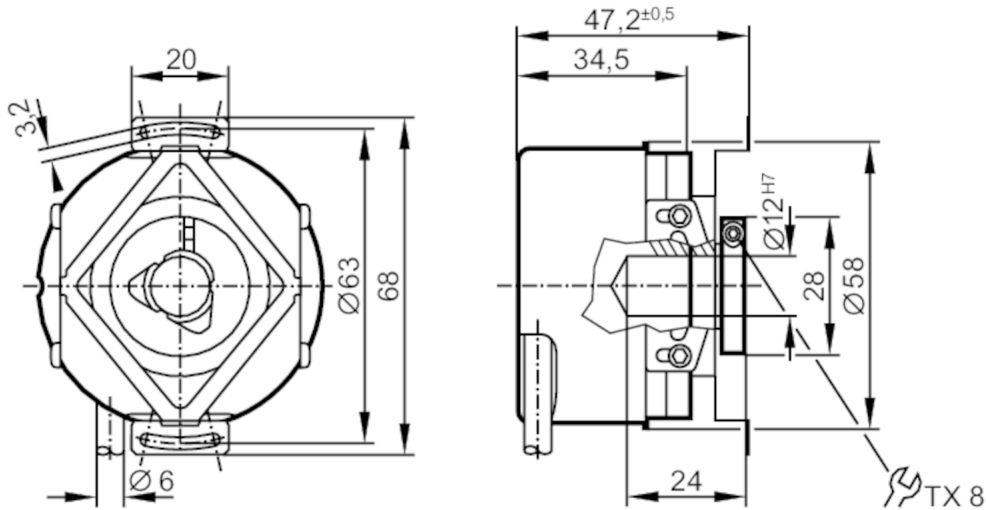
Incremental encoder with hollow shaft

RO-1024-I24/N1U

Article no longer available - archive entry

Alternative articles: ROP521 + E12402

When selecting an alternative article and accessories please note that technical data may differ!



Product characteristics

Resolution	1024 resolution
Shaft design	hollow shaft open to one side
Shaft diameter [mm]	12

Application

Function principle	incremental
--------------------	-------------

Electrical data

Operating voltage [V]	10...30 DC
Current consumption [mA]	< 150

Outputs

Electrical design	HTL
Max. current load per output [mA]	50
Switching frequency [kHz]	300
Type of short-circuit protection	< 60 s
Phase difference A and B [°]	90

Measuring/setting range

Resolution	1024 resolution
------------	-----------------

Operating conditions

Ambient temperature [°C]	-40...100
Max. relative air humidity [%]	98
Protection	IP 64; (on the housing: IP 67; on the shaft: IP 64)

RO6345



Incremental encoder with hollow shaft

RO-1024-I24/N1U

Tests / approvals	
Shock resistance	200 g
Vibration resistance	30 g
Mechanical data	
Weight [g]	448
Dimensions [mm]	Ø 58 / L = 47.2
Materials	aluminium
Max. revolution, mechanical [U/min]	12000
Max. starting torque [Nm]	1
Reference temperature torque [°C]	20
Shaft design	hollow shaft open to one side
Shaft diameter [mm]	12
Shaft fit	H7
Shaft material	stainless steel
Installation depth of shaft [mm]	10
Max. axial shaft misalignment [mm]	1; (max. radial shaft alignment: ± 0,05 mm)

Electrical connection

Cable: 1 m, PUR; Maximum cable length: 300 m; radial, can also be used axially

brown	A
green	A inverted
grey	B
pink	B inverted
red	0 index
black	0 index inverted
blue	L+ sensor
white	0V sensor
brown/green	L+ (Up)
white/green	0V (Un)
screen	housing
lilac	failure inverted

Diagrams and graphs

Pulse diagram	<p>direction of rotation clockwise (looking at the shaft)</p>
---------------	---