

# Protistor® size 73 aR

600 to 1250VAC (IEC) / 1300VAC (UL)

## SEMICONDUCTOR PROTECTION FUSES

### SQUARE BODY HIGH-SPEED FUSE-LINKS AC PROTECTION



These 1250/1300V Protistor® fuse-links provide maximum flexibility in equipment design and ultimate protection for today's power conversion equipment. These aR ultra-fast acting square body fuse-links are available in different body sizes, each size having multiple worldwide acceptable mounting styles.

The Protistor® have been engineered to provide state-of-the-art protection for semiconductors: diodes, thyristors and IGBT devices. Fuses are assembled with die-cut elements embedded in solidified sand, which helps control arcing characteristics for a lower  $I^2t$  and high interrupting rating level. All contact surfaces are silver plated and all hardware is non-magnetic.

All fuse-links can be equipped with a low voltage trip-indicator which can operate a field mountable microswitch.

## TECHNICAL DATA OVERVIEW

Voltage Range AC	600 ... 1250 VAC
Ampere Range (A)	315 ... 1800 A
Speed/Characteristic	aR
I.R. AC	100 ... 185 kA
Product Size	73

## FEATURES & BENEFITS

- Multiple body sizes and terminals or blades combination
- aR Class according to IEC 60269-4 and VDE 636-23
- Very low  $I^2t$  for improved semiconductor protection
- Ultra fast acting
- Current limiting
- Superior cycling capability

## APPLICATIONS

- Protection of inverters, motor drives, UPS systems and similar 690V or less equipments.

## STANDARDS

- IEC 60269-4 Compliance
- UL/CSA Recognized E76491 : see « UL certified » status given in Product Range table
- CCC GB 13539.4 for Asian market only



# Protistor® size 73 aR

600 to 1250VAC (IEC) / 1300VAC (UL)

## PRODUCT RANGE



PC73UD10C1000TF

### Size 73 type TTF M12 threaded terminals

Catalog number	Item number	Rated voltage AC (IEC)	Rated voltage AC (UL)	Rated current I <sub>n</sub>	Pre-arcing I <sup>2</sup> t	Clearing I <sup>2</sup> t at Rated Voltage	Rated breaking capacity AC	Power dissipation at I <sub>n</sub>	UL certified	Package	Weight
PC73UD13C315TF	J300503	1250 V	1300 V	315 A	12 kA <sup>2</sup> s	95 kA <sup>2</sup> s	126 kA	84 W	✓	1	1.22 kg
PC73UD13C350TF	K300504	1250 V	1300 V	350 A	17 kA <sup>2</sup> s	140 kA <sup>2</sup> s	126 kA	86 W	✓	1	1.22 kg
PC73UD13C400TF	L300505	1250 V	1300 V	400 A	25 kA <sup>2</sup> s	205 kA <sup>2</sup> s	126 kA	93 W	✓	1	1.22 kg
PC73UD13C450TF	M300506	1250 V	1300 V	450 A	35.5 kA <sup>2</sup> s	290 kA <sup>2</sup> s	126 kA	99 W	✓	1	1.22 kg
PC73UD13C500TF	N300507	1250 V	1300 V	500 A	44 kA <sup>2</sup> s	360 kA <sup>2</sup> s	126 kA	112 W	✓	1	1.22 kg
PC73UD13C550TF	P300508	1250 V	1300 V	550 A	57 kA <sup>2</sup> s	465 kA <sup>2</sup> s	126 kA	116 W	✓	1	1.22 kg
PC73UD13C630TF	Q300509	1250 V	1300 V	630 A	84 kA <sup>2</sup> s	680 kA <sup>2</sup> s	126 kA	125 W	✓	1	1.22 kg
PC73UD13C700TF	R300510	1250 V	1300 V	700 A	114 kA <sup>2</sup> s	900 kA <sup>2</sup> s	126 kA	135 W	✓	1	1.22 kg
PC73UD13C800TF	S300511	1250 V	1300 V	800 A	189 kA <sup>2</sup> s	1530 kA <sup>2</sup> s	126 kA	136 W	✓	1	1.22 kg
PC73UD12C900TF	T300512	1200 V	1300 V	900 A	250 kA <sup>2</sup> s	1870 kA <sup>2</sup> s	126 kA	151 W	-	1	1.22 kg
PC73UD10C1000TF	V300513	1000 V	1100 V	1000 A	370 kA <sup>2</sup> s	2130 kA <sup>2</sup> s	167 kA	152 W	✓	1	1.22 kg
PC73UD95V11CTF	W300514	950 V	1000 V	1100 A	445 kA <sup>2</sup> s	2430 kA <sup>2</sup> s	150 kA	168 W	✓	1	1.22 kg
PC73UD90V13CTF	T300696	900 V	1000 V	1250 A	585 kA <sup>2</sup> s	3080 kA <sup>2</sup> s	150 kA	186 W	✓	1	1.22 kg
PC73UD85V14CTF	S300718	850 V	900 V	1400 A	755 kA <sup>2</sup> s	3700 kA <sup>2</sup> s	150 kA	210 W	✓	1	1.22 kg
PC73UD69V16CTF	B301301	690 V	700 V	1600 A	1430 kA <sup>2</sup> s	5740 kA <sup>2</sup> s	150 kA	203 W	✓	1	1.22 kg
PC73UD60V18CTF	C301302	600 V	650 V	1800 A	2040 kA <sup>2</sup> s	7150 kA <sup>2</sup> s	200 kA	206 W	✓	1	1.22 kg



A130UD73TT1900

### Size 73 type TTI 1/2in - 13 unified coarse threaded terminals

Catalog number	Item number	Rated voltage AC (IEC)	Rated voltage AC (UL)	Rated current I <sub>n</sub>	Pre-arcing I <sup>2</sup> t	Clearing I <sup>2</sup> t at Rated Voltage	Rated breaking capacity AC	Power dissipation at I <sub>n</sub>	UL certified	Package	Weight
A130UD73TTI315	Z301046	1250 V	1300 V	315 A	12 kA <sup>2</sup> s	95 kA <sup>2</sup> s	126 kA	84 W	✓	1	1.25 kg
A130UD73TTI350	A301047	1250 V	1300 V	350 A	17 kA <sup>2</sup> s	140 kA <sup>2</sup> s	126 kA	86 W	✓	1	1.25 kg
A130UD73TTI400	B301048	1250 V	1300 V	400 A	25 kA <sup>2</sup> s	205 kA <sup>2</sup> s	126 kA	93 W	✓	1	1.25 kg
A130UD73TTI450	C301049	1250 V	1300 V	450 A	35.5 kA <sup>2</sup> s	290 kA <sup>2</sup> s	126 kA	99 W	✓	1	1.25 kg
A130UD73TTI500	D301050	1250 V	1300 V	500 A	44 kA <sup>2</sup> s	360 kA <sup>2</sup> s	126 kA	112 W	✓	1	1.25 kg
A130UD73TTI550	E301051	1250 V	1300 V	550 A	57 kA <sup>2</sup> s	465 kA <sup>2</sup> s	126 kA	116 W	✓	1	1.25 kg
A130UD73TTI630	F301052	1250 V	1300 V	630 A	84 kA <sup>2</sup> s	680 kA <sup>2</sup> s	126 kA	125 W	✓	1	1.25 kg
A130UD73TTI700	G301053	1250 V	1300 V	700 A	114 kA <sup>2</sup> s	900 kA <sup>2</sup> s	126 kA	135 W	✓	1	1.25 kg
A130UD73TTI800	H301054	1250 V	1300 V	800 A	189 kA <sup>2</sup> s	1530 kA <sup>2</sup> s	150 kA	136 W	✓	1	1.25 kg
A130UD73TTI900	T1013903	1200 V	1300 V	900 A	250 kA <sup>2</sup> s	1870 kA <sup>2</sup> s	150 kA	150 W	✓	1	1.25 kg
A110UD73TTI1000	K301056	1000 V	1100 V	1000 A	370 kA <sup>2</sup> s	2130 kA <sup>2</sup> s	167 kA	152 W	✓	1	1.25 kg
A100UD73TTI1100	L301057	950 V	1000 V	1100 A	445 kA <sup>2</sup> s	2430 kA <sup>2</sup> s	150 kA	168 W	✓	1	1.25 kg
A100UD73TTI1250	M301058	900 V	1000 V	1250 A	585 kA <sup>2</sup> s	3080 kA <sup>2</sup> s	150 kA	186 W	✓	1	1.25 kg
A090UD73TTI1400	N301059	850 V	900 V	1400 A	755 kA <sup>2</sup> s	3700 kA <sup>2</sup> s	150 kA	210 W	✓	1	1.25 kg
A070UD73TTI1600	Q300877	690 V	700 V	1600 A	1430 kA <sup>2</sup> s	5740 kA <sup>2</sup> s	200 kA	203 W	✓	1	1.25 kg
A065UD73TTI1800	R300878	600 V	650 V	1800 A	2040 kA <sup>2</sup> s	7150 kA <sup>2</sup> s	200 kA	206 W	✓	1	1.25 kg

# Protistor® size 73 aR

600 to 1250VAC (IEC) / 1300VAC (UL)

## PRODUCT RANGE



PC73UD90V11CD1A

### Size 73 type DIN110 blades

Catalog number	Item number	Rated voltage AC (IEC)	Rated voltage AC (UL)	Rated current I <sub>n</sub>	Pre-arcing I <sup>2</sup> t	Clearing I <sup>2</sup> t at Rated Voltage	Rated breaking capacity AC	Power dissipation at I <sub>n</sub>	UL certified	Package	Weight
PC73UD13C315D1A	A300564	1250 V	1300 V	315 A	12 kA <sup>2</sup> s	95 kA <sup>2</sup> s	126 kA	84 W	✓	1	1.12 kg
PC73UD13C350D1A	B300565	1250 V	1300 V	350 A	17 kA <sup>2</sup> s	140 kA <sup>2</sup> s	126 kA	86 W	✓	1	1.12 kg
PC73UD13C400D1A	C300566	1250 V	1300 V	400 A	25 kA <sup>2</sup> s	205 kA <sup>2</sup> s	126 kA	93 W	✓	1	1.12 kg
PC73UD13C450D1A	D300567	1250 V	1300 V	450 A	35.5 kA <sup>2</sup> s	290 kA <sup>2</sup> s	126 kA	100 W	✓	1	1.12 kg
PC73UD13C500D1A	E300568	1250 V	1300 V	500 A	44 kA <sup>2</sup> s	360 kA <sup>2</sup> s	126 kA	112 W	✓	1	1.12 kg
PC73UD13C550D1A	F300569	1250 V	1300 V	550 A	57 kA <sup>2</sup> s	465 kA <sup>2</sup> s	126 kA	120 W	✓	1	1.12 kg
PC73UD13C630D1A	G300570	1250 V	1300 V	630 A	84 kA <sup>2</sup> s	680 kA <sup>2</sup> s	126 kA	132 W	✓	1	1.12 kg
PC73UD12C700D1A	H300571	1200 V	1300 V	700 A	110 kA <sup>2</sup> s	900 kA <sup>2</sup> s	150 kA	146 W	✓	1	1.12 kg
PC73UD11C800D1A	J300572	1100 V	1200 V	800 A	190 kA <sup>2</sup> s	1230 kA <sup>2</sup> s	150 kA	148 W	✓	1	1.12 kg
PC73UD10C900D1A	K300573	1000 V	1100 V	900 A	250 kA <sup>2</sup> s	1440 kA <sup>2</sup> s	167 kA	170 W	✓	1	1.12 kg
PC73UD90V11CD1A	M300575	900 V	1000 V	1100 A	445 kA <sup>2</sup> s	2280 kA <sup>2</sup> s	150 kA	208 W	✓	1	1.12 kg
PC73UD90V10CD1A	L300574	900 V	1000 V	1000 A	370 kA <sup>2</sup> s	1920 kA <sup>2</sup> s	150 kA	174 W	✓	1	1.12 kg



A090UD73LI1400

### Size 73 type LI slotted blades

Catalog number	Item number	Rated voltage AC (IEC)	Rated voltage AC (UL)	Rated current I <sub>n</sub>	Pre-arcing I <sup>2</sup> t	Clearing I <sup>2</sup> t at Rated Voltage	Rated breaking capacity AC	Power dissipation at I <sub>n</sub>	UL certified	Package	Weight
A130UD73LI315	B300680	1250 V	1300 V	315 A	12 kA <sup>2</sup> s	95 kA <sup>2</sup> s	126 kA	84 W	✓	1	1.25 kg
A130UD73LI350	C300681	1250 V	1300 V	350 A	17 kA <sup>2</sup> s	140 kA <sup>2</sup> s	126 kA	86 W	✓	1	1.25 kg
A130UD73LI400	D300682	1250 V	1300 V	400 A	25 kA <sup>2</sup> s	205 kA <sup>2</sup> s	126 kA	93 W	✓	1	1.25 kg
A130UD73LI450	E300683	1250 V	1300 V	450 A	35.5 kA <sup>2</sup> s	290 kA <sup>2</sup> s	126 kA	100 W	✓	1	1.25 kg
A130UD73LI500	F300684	1250 V	1300 V	500 A	44 kA <sup>2</sup> s	360 kA <sup>2</sup> s	126 kA	112 W	✓	1	1.25 kg
A130UD73LI550	G300685	1250 V	1300 V	550 A	57 kA <sup>2</sup> s	465 kA <sup>2</sup> s	126 kA	120 W	✓	1	1.25 kg
A130UD73LI630	H300686	1250 V	1300 V	630 A	84 kA <sup>2</sup> s	680 kA <sup>2</sup> s	126 kA	132 W	✓	1	1.25 kg
A130UD73LI700	J300687	1200 V	1300 V	700 A	110 kA <sup>2</sup> s	900 kA <sup>2</sup> s	150 kA	146 W	✓	1	1.25 kg
A120UD73LI800	K300688	1100 V	1200 V	800 A	190 kA <sup>2</sup> s	1230 kA <sup>2</sup> s	150 kA	148 W	✓	1	1.25 kg
A110UD73LI900	L300689	1000 V	1100 V	900 A	250 kA <sup>2</sup> s	1440 kA <sup>2</sup> s	167 kA	170 W	✓	1	1.25 kg
A100UD73LI1000	M300690	900 V	1000 V	1000 A	370 kA <sup>2</sup> s	1920 kA <sup>2</sup> s	150 kA	174 W	✓	1	1.25 kg
A100UD73LI1100	N300691	900 V	1000 V	1100 A	445 kA <sup>2</sup> s	2280 kA <sup>2</sup> s	151 kA	208 W	✓	1	1.25 kg
A100UD73LI1250	J301193	900 V	1000 V	1250 A	585 kA <sup>2</sup> s	3080 kA <sup>2</sup> s	151 kA	234 W	✓	1	1.25 kg
A090UD73LI1400	K301194	850 V	900 V	1400 A	755 kA <sup>2</sup> s	3700 kA <sup>2</sup> s	126 kA	260 W	✓	1	1.25 kg

# Protistor® size 73 aR

600 to 1250VAC (IEC) / 1300VAC (UL)

## PRODUCT RANGE



PC73UD90V11CEF

### Size 73 type EF style notched blade connections

Catalog number	Item number	Rated voltage AC (IEC)	Rated voltage AC (UL)	Rated current I <sub>n</sub>	Pre-arcing I <sup>2</sup> t	Clearing I <sup>2</sup> t at Rated Voltage	Rated breaking capacity AC	Power dissipation at I <sub>n</sub>	UL certified	Package	Weight
PC73UD13C315EF	V300628	1250 V	1300 V	315 A	12 kA <sup>2</sup> s	95 kA <sup>2</sup> s	126 kA	84 W	✓	1	1.11 kg
PC73UD13C350EF	W300629	1250 V	1300 V	350 A	17 kA <sup>2</sup> s	140 kA <sup>2</sup> s	126 kA	86 W	✓	1	1.11 kg
PC73UD13C400EF	X300630	1250 V	1300 V	400 A	25 kA <sup>2</sup> s	205 kA <sup>2</sup> s	126 kA	93 W	✓	1	1.11 kg
PC73UD13C450EF	Y300631	1250 V	1300 V	450 A	35.5 kA <sup>2</sup> s	290 kA <sup>2</sup> s	126 kA	100 W	✓	1	1.11 kg
PC73UD13C500EF	Z300632	1250 V	1300 V	500 A	44 kA <sup>2</sup> s	360 kA <sup>2</sup> s	126 kA	112 W	✓	1	1.11 kg
PC73UD13C550EF	A300633	1250 V	1300 V	550 A	57 kA <sup>2</sup> s	465 kA <sup>2</sup> s	126 kA	120 W	✓	1	1.11 kg
PC73UD13C630EF	B300634	1250 V	1300 V	630 A	84 kA <sup>2</sup> s	680 kA <sup>2</sup> s	126 kA	132 W	✓	1	1.11 kg
PC73UD12C700EF	C300635	1200 V	1300 V	700 A	110 kA <sup>2</sup> s	900 kA <sup>2</sup> s	150 kA	146 W	✓	1	1.11 kg
PC73UD11C800EF	D300636	1100 V	1200 V	800 A	190 kA <sup>2</sup> s	1230 kA <sup>2</sup> s	150 kA	148 W	✓	1	1.11 kg
PC73UD10C900EF	E300637	1000 V	1100 V	900 A	250 kA <sup>2</sup> s	1440 kA <sup>2</sup> s	167 kA	170 W	✓	1	1.11 kg
PC73UD90V10CEF	F300638	900 V	1000 V	1000 A	370 kA <sup>2</sup> s	1920 kA <sup>2</sup> s	150 kA	174 W	✓	1	1.11 kg
PC73UD90V11CEF	G300639	900 V	1000 V	1100 A	445 kA <sup>2</sup> s	2280 kA <sup>2</sup> s	150 kA	208 W	✓	1	1.11 kg

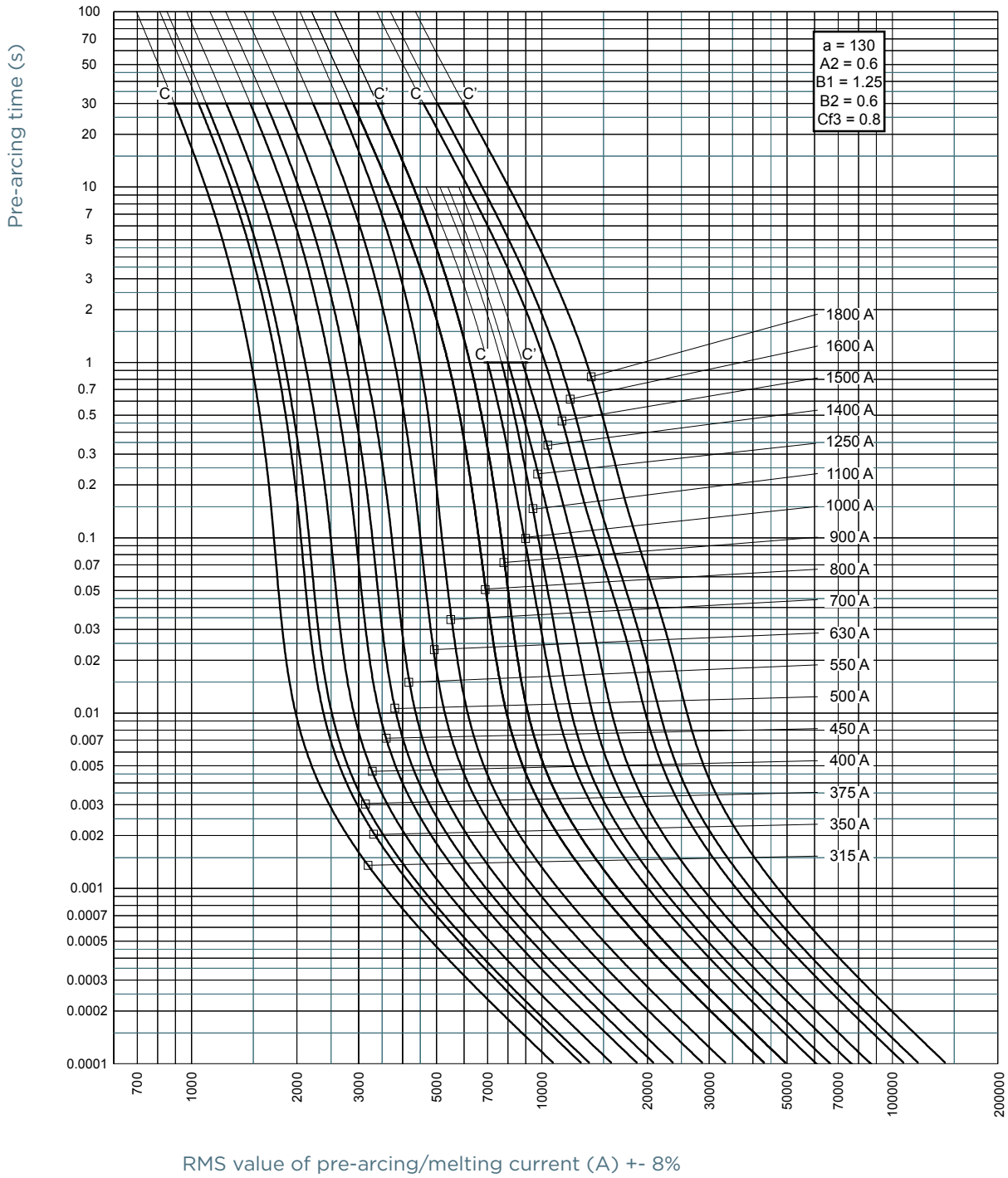


A090UD73PA1400

### Size 73 type PA plain blades

Catalog number	Item number	Rated voltage AC (IEC)	Rated voltage AC (UL)	Rated current I <sub>n</sub>	Pre-arcing I <sup>2</sup> t	Clearing I <sup>2</sup> t at Rated Voltage	Rated breaking capacity AC	Power dissipation at I <sub>n</sub>	UL certified	Package	Weight
PC73UD13C450PA	X302976	1250 V	1300 V	450 A	35.5 kA <sup>2</sup> s	290 kA <sup>2</sup> s	126 kA	100 W	✓	3	1.16 kg
PC73UD13C500PA	S302719	1250 V	1300 V	500 A	44 kA <sup>2</sup> s	360 kA <sup>2</sup> s	126 kA	112 W	✓	3	1.16 kg
PC73UD13C550PA	Y302977	1250 V	1300 V	550 A	57 kA <sup>2</sup> s	465 kA <sup>2</sup> s	126 kA	120 W	✓	3	1.16 kg
PC73UD13C630PA	D300843	1250 V	1300 V	630 A	84 kA <sup>2</sup> s	680 kA <sup>2</sup> s	126 kA	132 W	✓	3	1.16 kg
PC73UD12C700PA	B301784	1200 V	1300 V	700 A	110 kA <sup>2</sup> s	900 kA <sup>2</sup> s	150 kA	146 W	✓	3	1.16 kg
PC73UD11C800PA	Z301966	1100 V	1200 V	800 A	190 kA <sup>2</sup> s	1230 kA <sup>2</sup> s	150 kA	148 W	✓	3	1.16 kg
PC73UD10C900PA	F302685	1000 V	1100 V	900 A	250 kA <sup>2</sup> s	1440 kA <sup>2</sup> s	167 kA	170 W	✓	3	1.16 kg
PC73UD90V10CPA	R302718	900 V	1000 V	1000 A	370 kA <sup>2</sup> s	1920 kA <sup>2</sup> s	150 kA	174 W	✓	3	1.16 kg
PC73UD90V11CPA	Q302717	900 V	1000 V	1100 A	445 kA <sup>2</sup> s	2280 kA <sup>2</sup> s	150 kA	208 W	✓	3	1.16 kg
PC73UD85V14CPA	G302686	900 V	1000 V	1250 A	585 kA <sup>2</sup> s	3080 kA <sup>2</sup> s	150 kA	234 W	✓	3	1.16 kg
A090UD73PA1400	G302709	850 V	900 V	1400 A	755 kA <sup>2</sup> s	3700 kA <sup>2</sup> s	150 kA	260 W	✓	3	1.16 kg

TIME CURRENT CHARACTERISTIC CURVES



## CUT-OFF CURRENT CHARACTERISTIC

**Size 73 aR 600V 1800A**

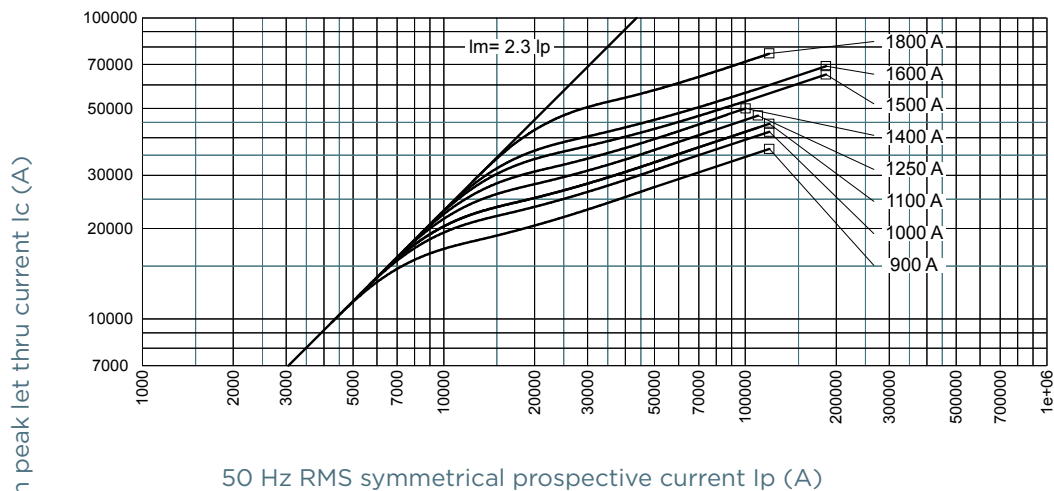
**Size 73 aR 690V 1500 - 1600A**

**Size 73 aR 850V 1400A**

**Size 73 aR 900V 1000 - 1250A**

**Size 73 aR 950V 1100A**

**Size 73 aR 1000V 900 - 1100A**

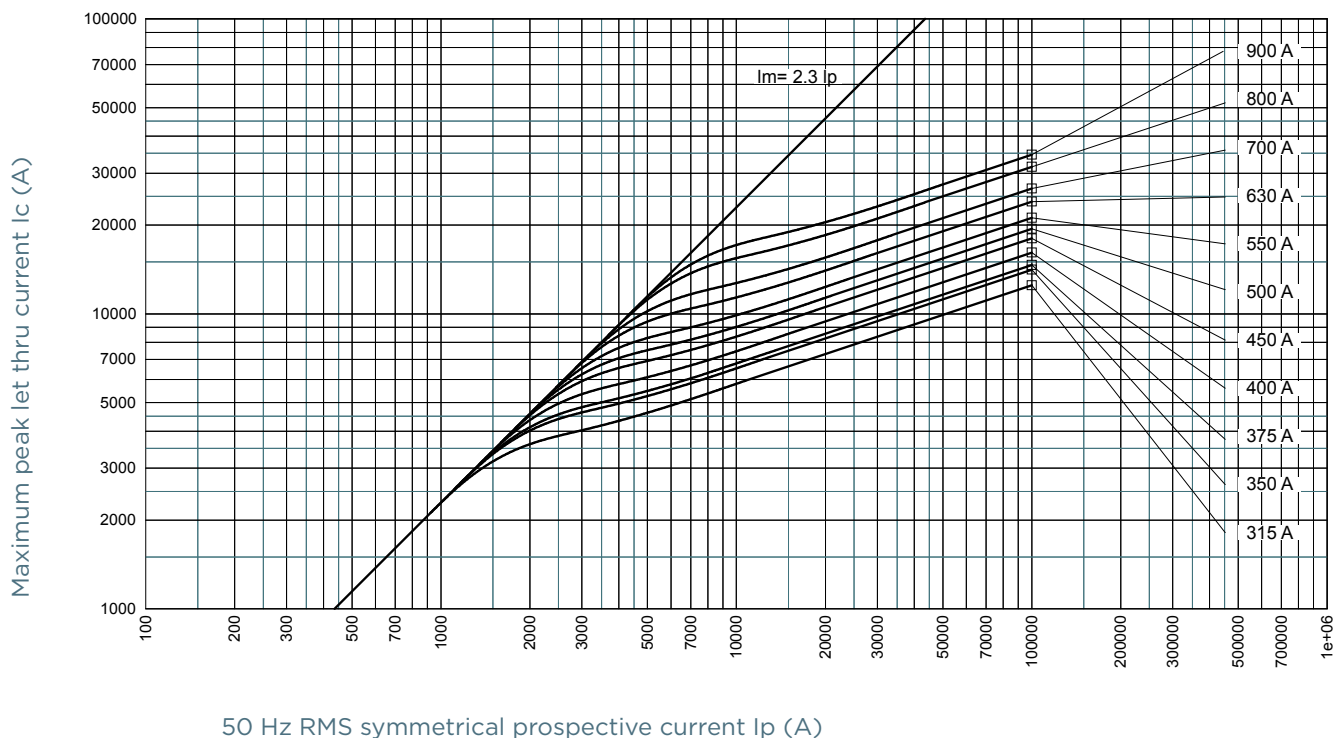


## CUT-OFF CURRENT CHARACTERISTIC

Size 73 aR 1100V 800A

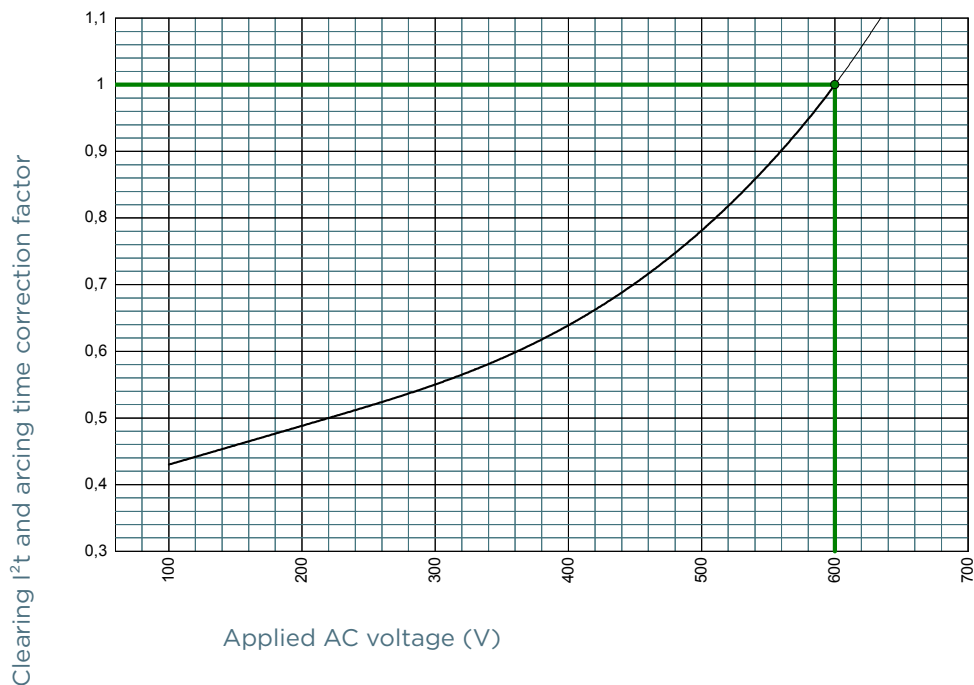
Size 73 aR 1200V 700 - 900A

Size 73 aR 1250V 315 - 800A

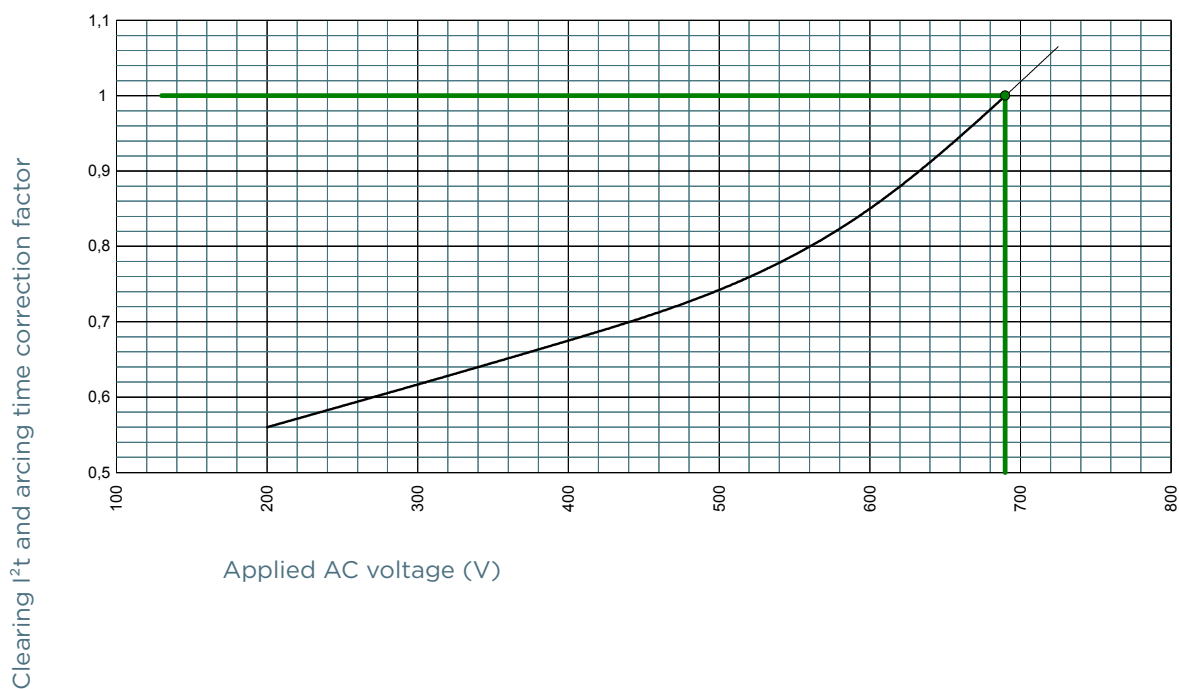


## I<sup>2</sup>T MULTIPLIER COEFFICIENT

### Size 73 aR 600V

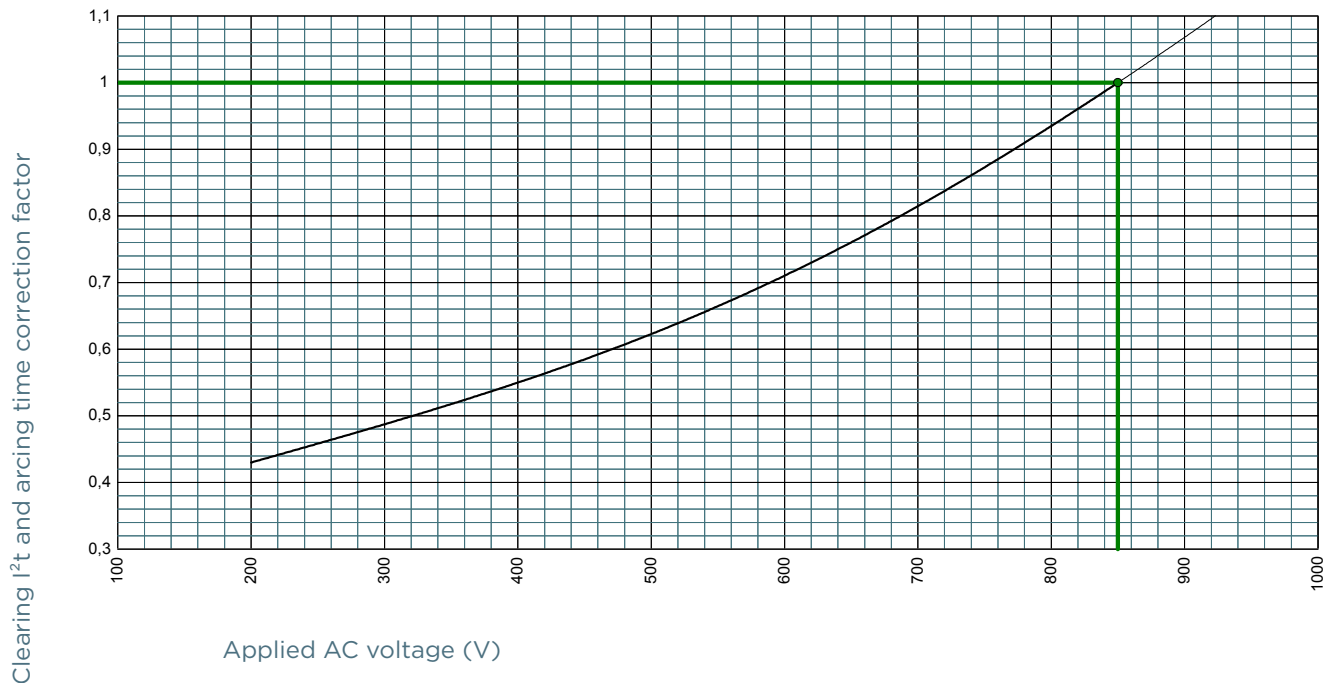


### Size 73 aR 690V

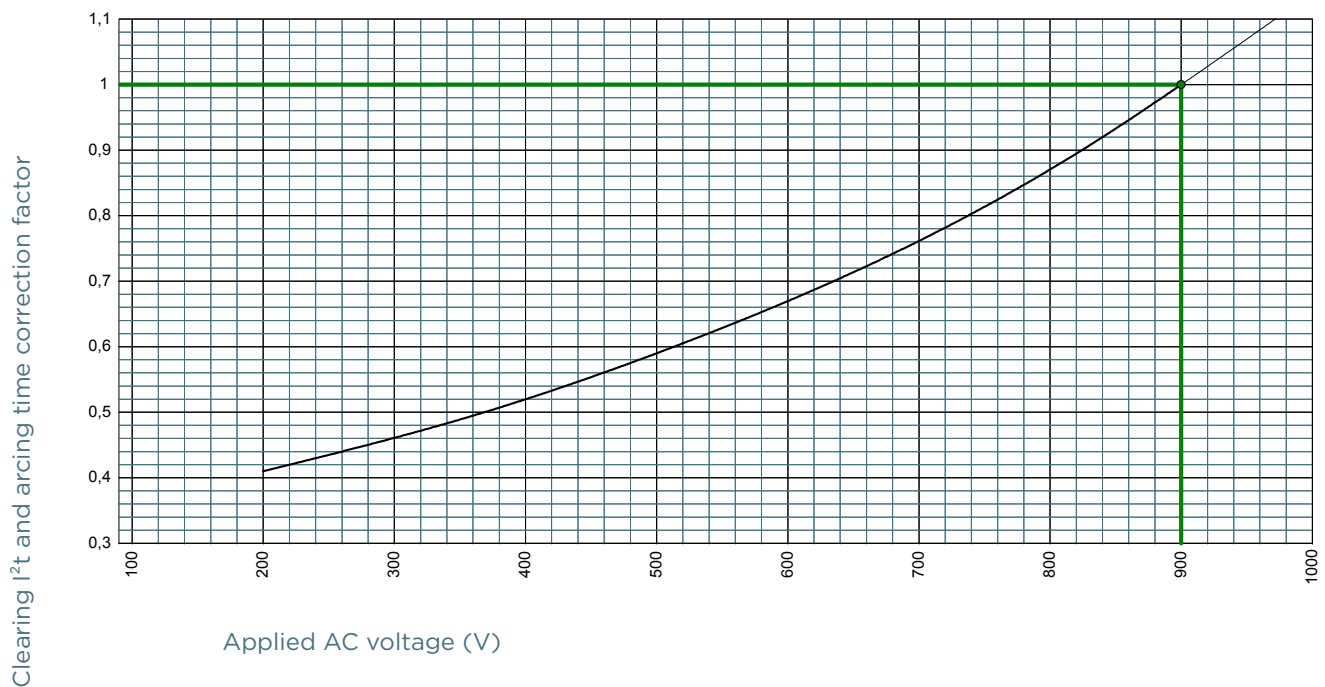


## I<sup>2</sup>T MULTIPLIER COEFFICIENT

### Size 73 aR 850V

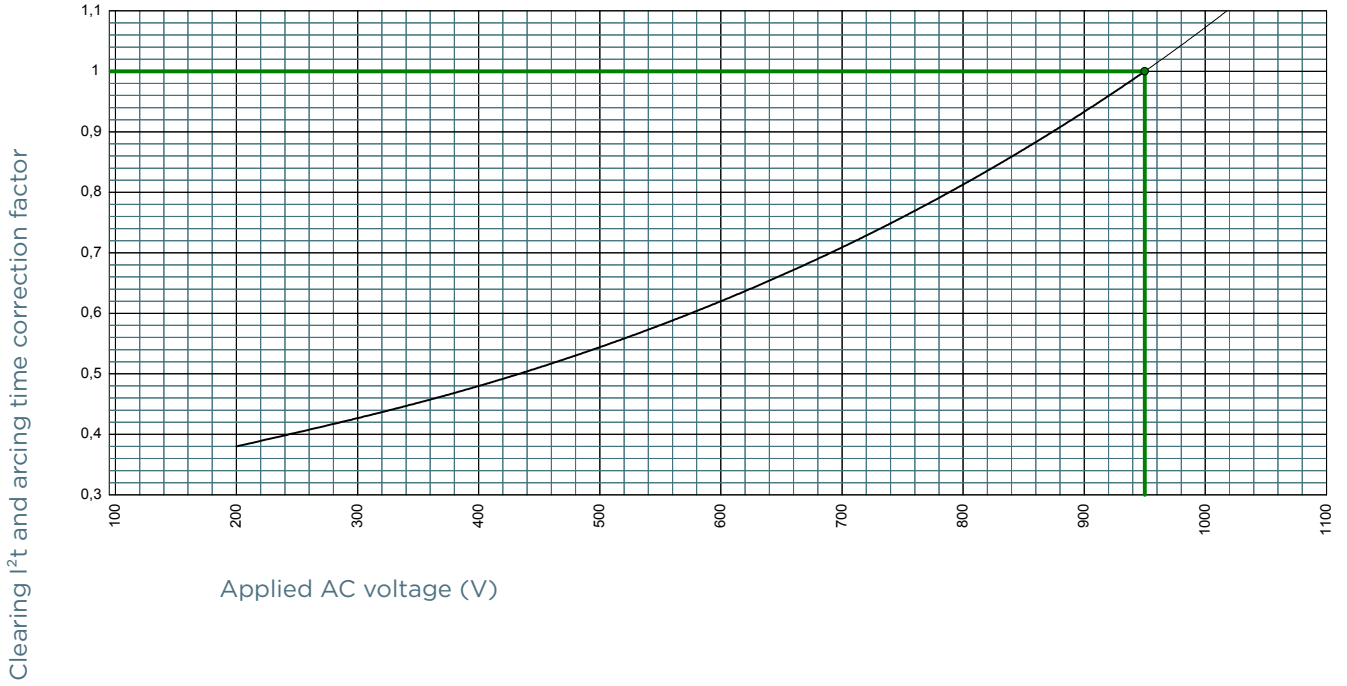


### Size 73 aR 900V

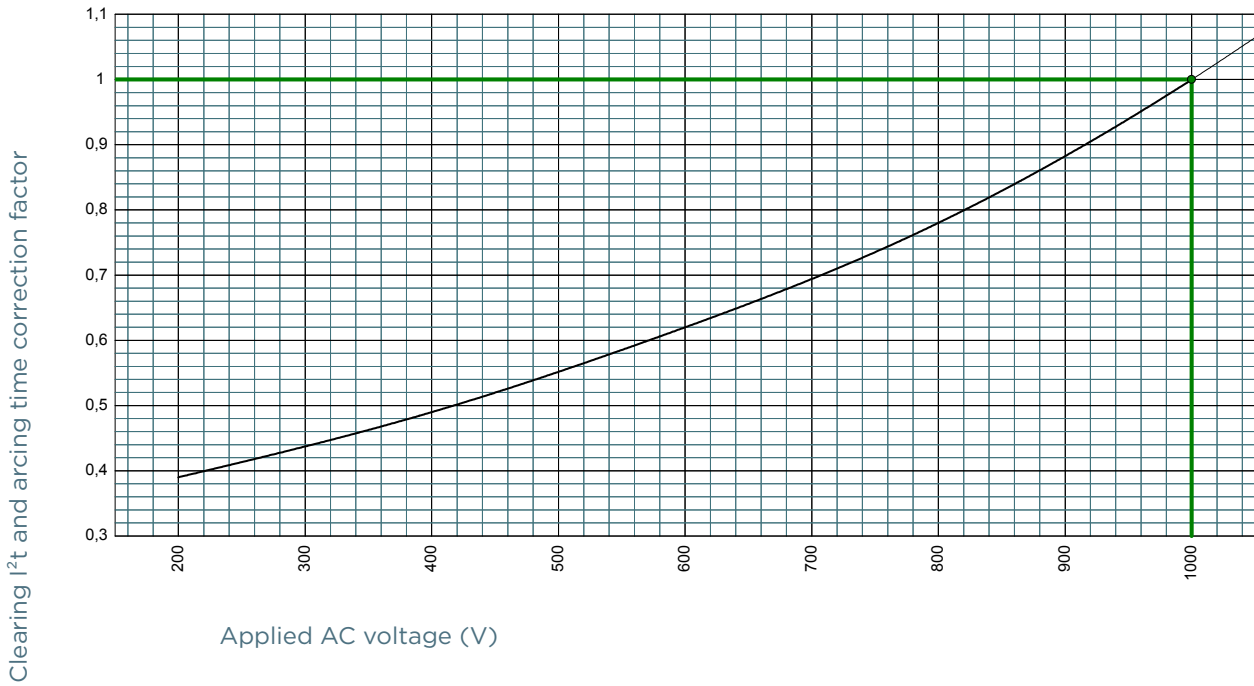


I<sup>2</sup>T MULTIPLIER COEFFICIENT

Size 73 aR 950V

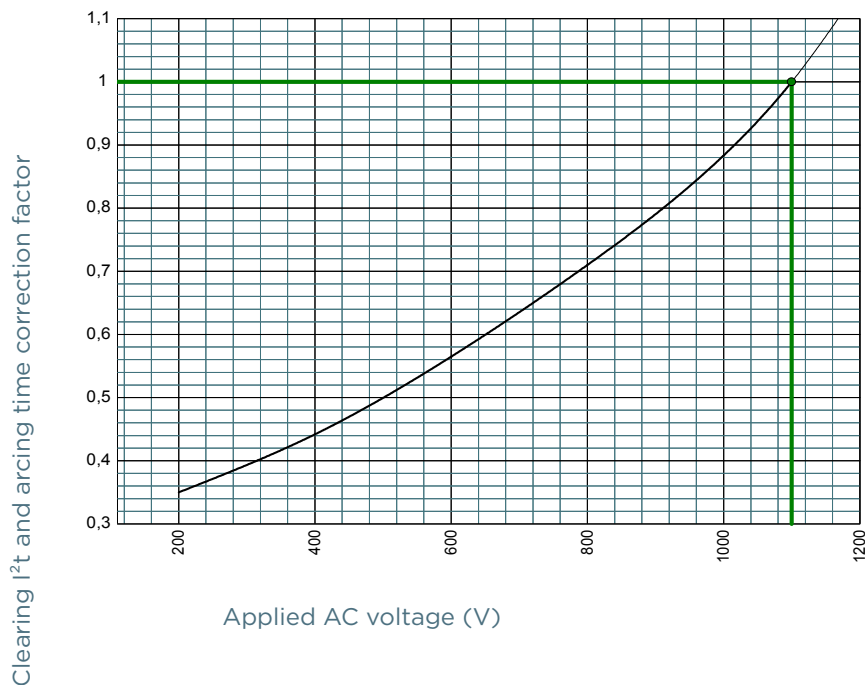


Size 73 aR 1000V

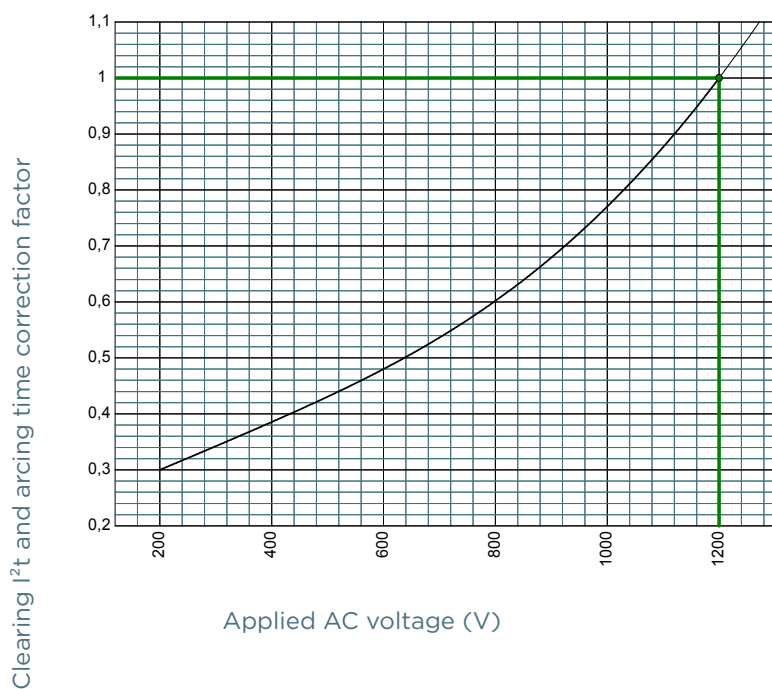


## I<sup>2</sup>T MULTIPLIER COEFFICIENT

### Size 73 aR 1100V



### Size 73 aR 1200V

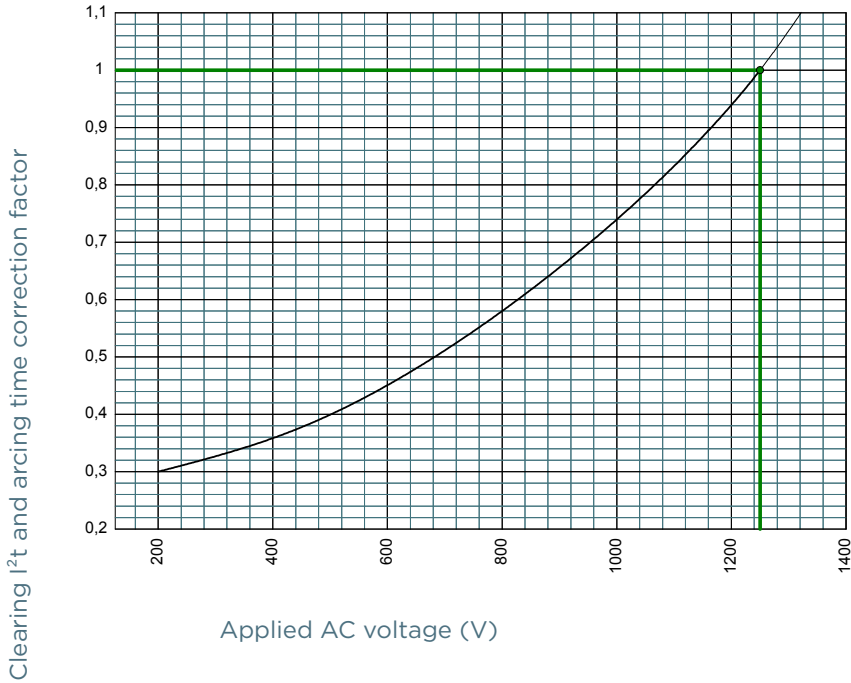


# Protistor® size 73 aR

600 to 1250VAC (IEC) / 1300VAC (UL)

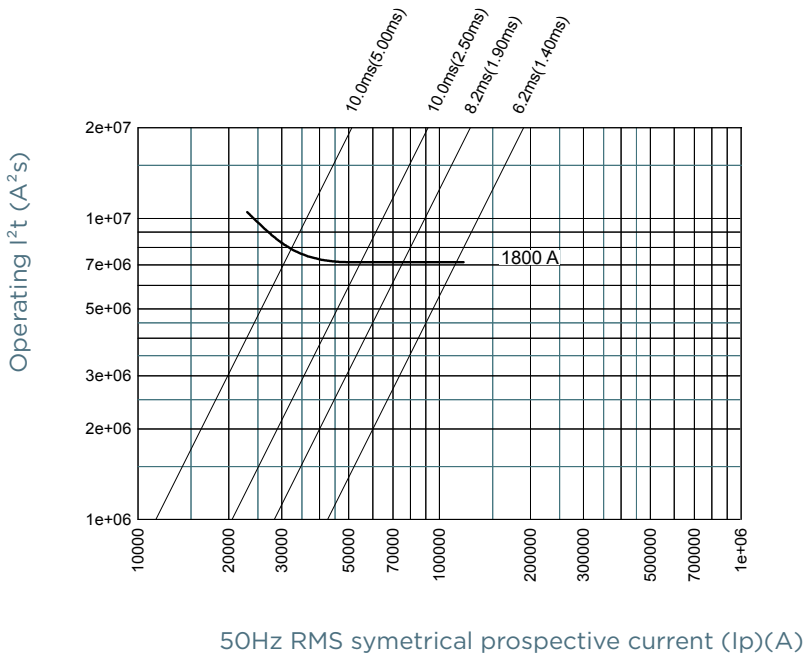
## I<sup>2</sup>T MULTIPLIER COEFFICIENT

### Size 73 aR 1250V



## CHARACTERISTICS TOTAL I<sup>2</sup>T CURVE

### Size 73 aR 600V

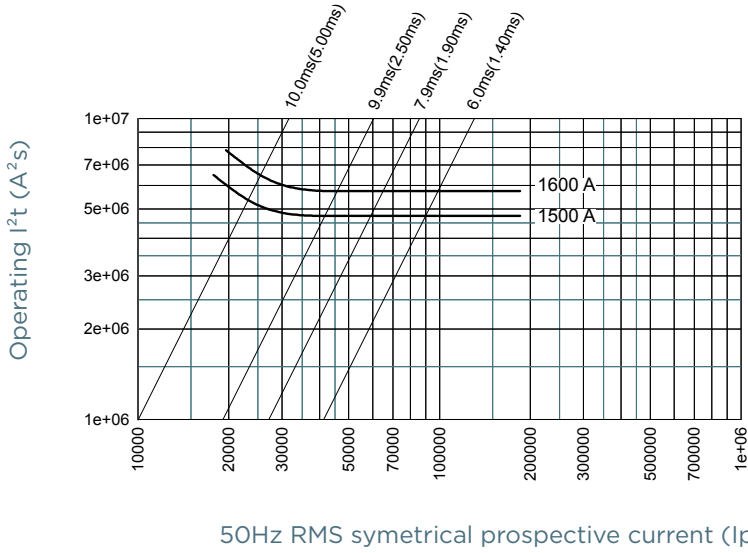


# Protistor® size 73 aR

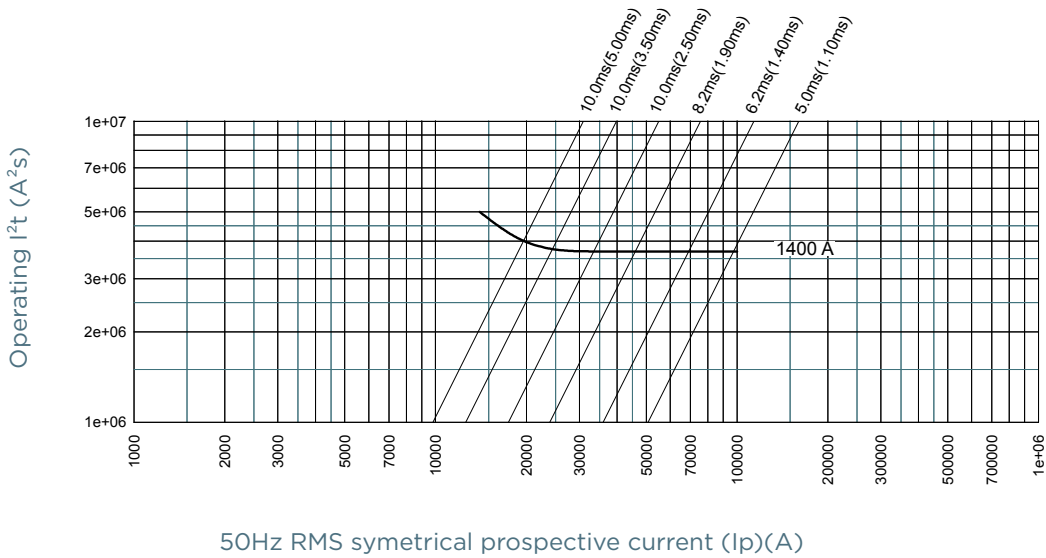
600 to 1250VAC (IEC) / 1300VAC (UL)

## CHARACTERISTICS TOTAL I<sup>2</sup>T CURVE

### Size 73 aR 690V



### Size 73 aR 850V

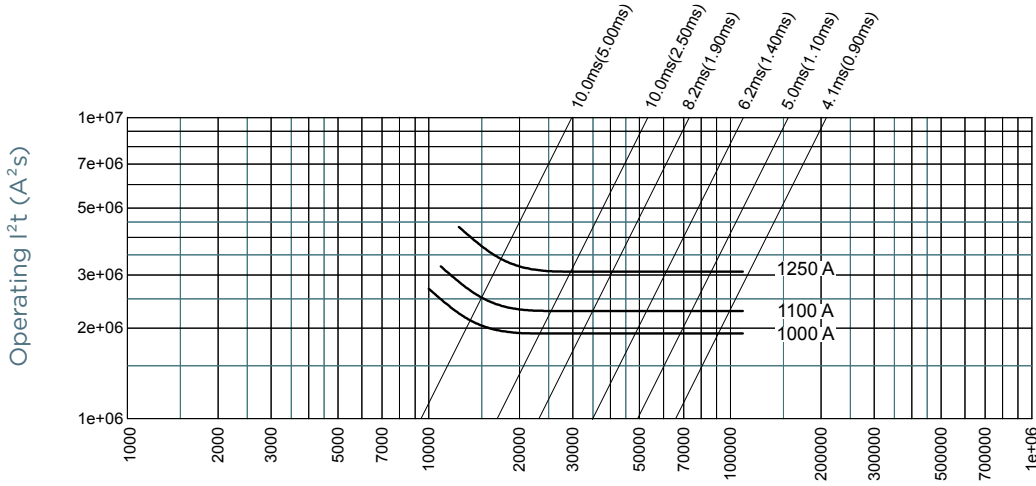


# Protistor® size 73 aR

600 to 1250VAC (IEC) / 1300VAC (UL)

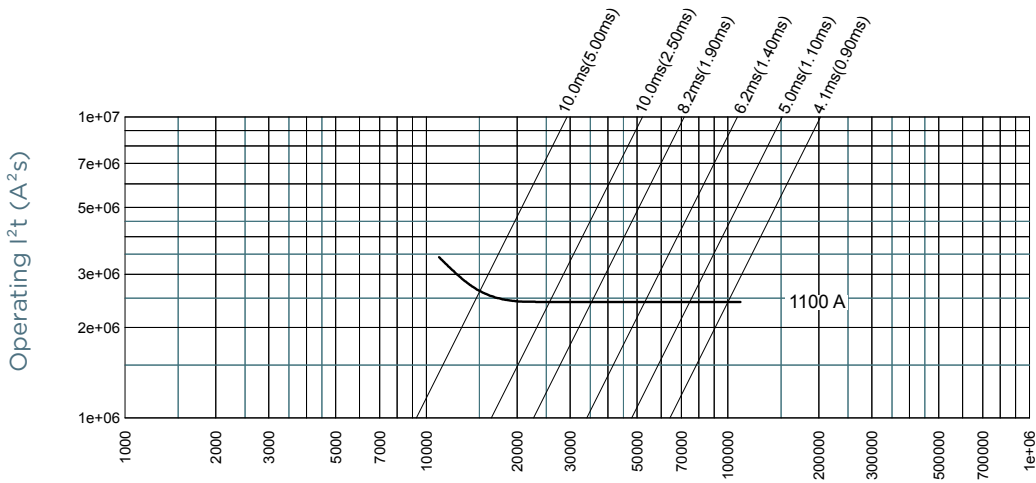
## CHARACTERISTICS TOTAL I<sup>2</sup>T CURVE

### Size 73 aR 900V



50Hz RMS symmetrical prospective current (Ip)(A)

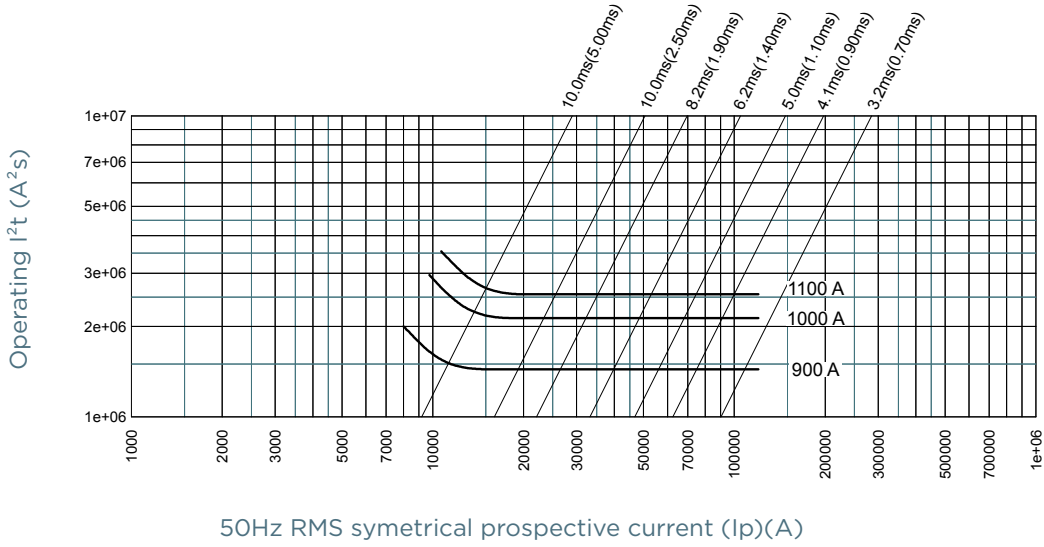
### Size 73 aR 950V



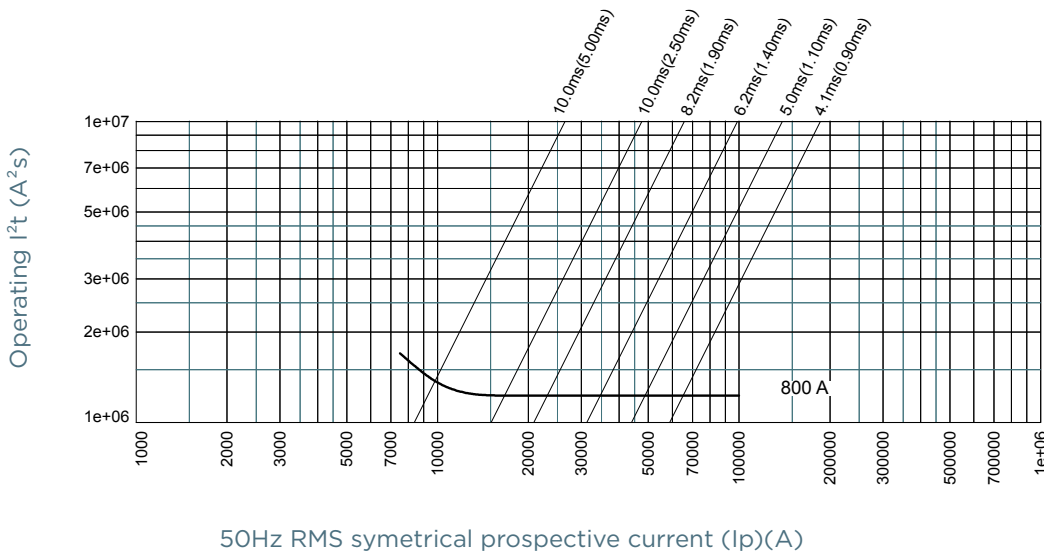
50Hz RMS symmetrical prospective current (Ip)(A)

CHARACTERISTICS TOTAL I<sup>2</sup>T CURVE

Size 73 aR 1000V

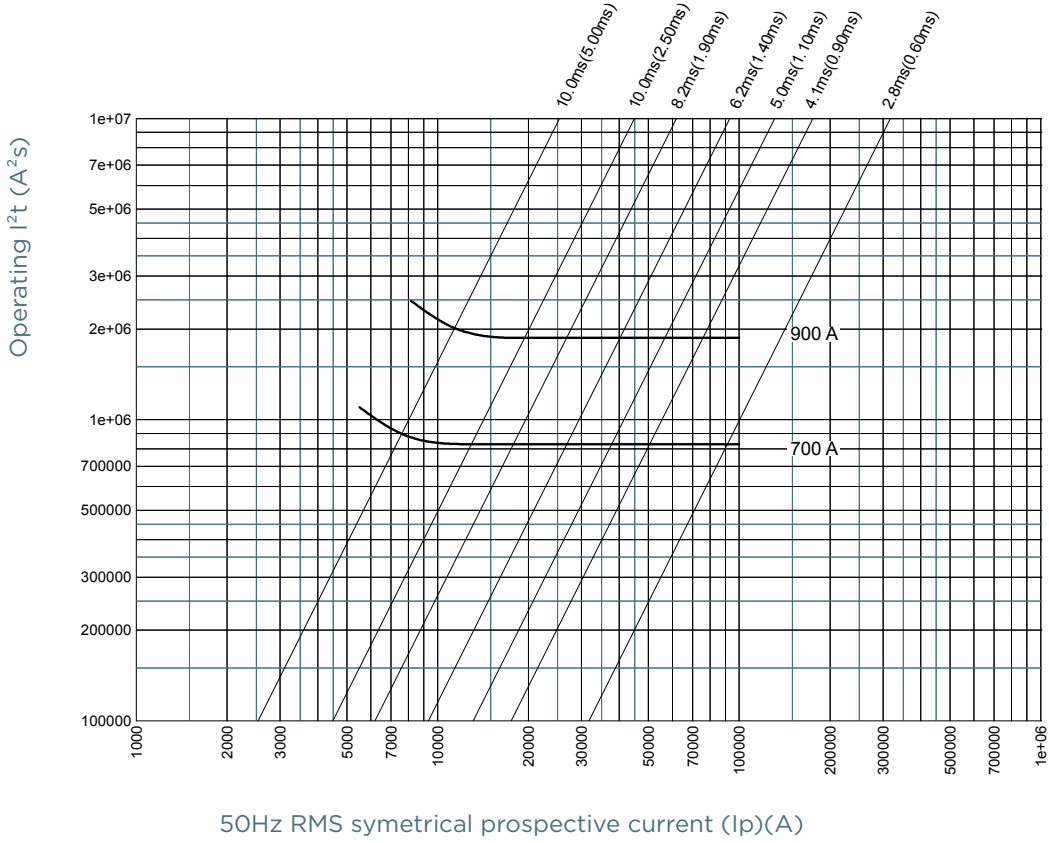


Size 73 aR 1100V



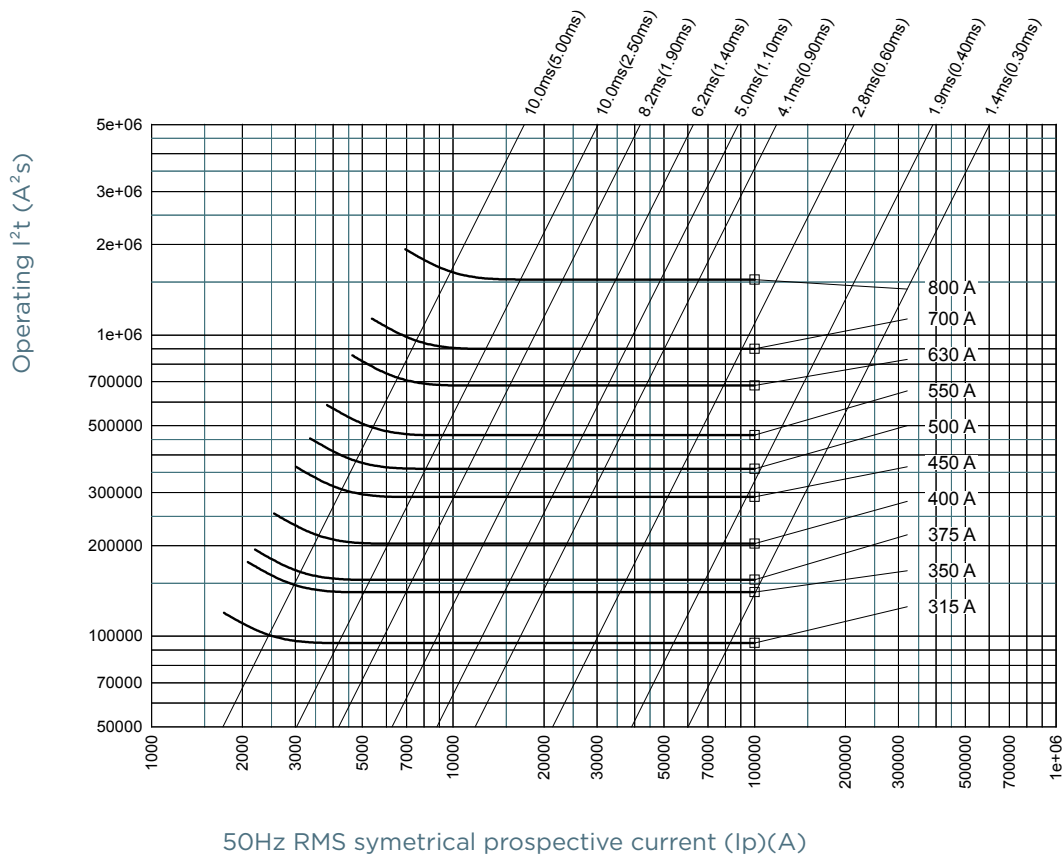
CHARACTERISTICS TOTAL I<sup>2</sup>T CURVE

Size 73 aR 1200V



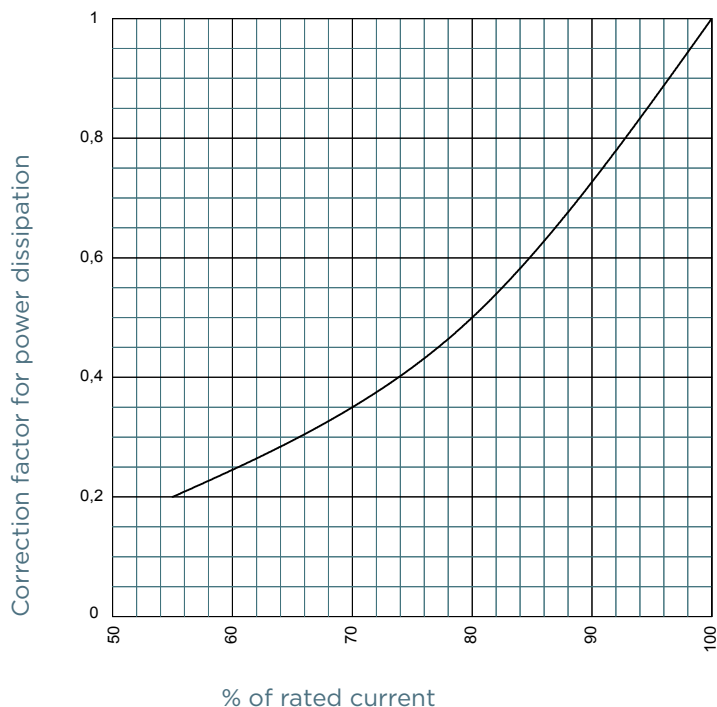
## CHARACTERISTICS TOTAL I<sup>2</sup>T CURVE

Size 73 aR 1250V



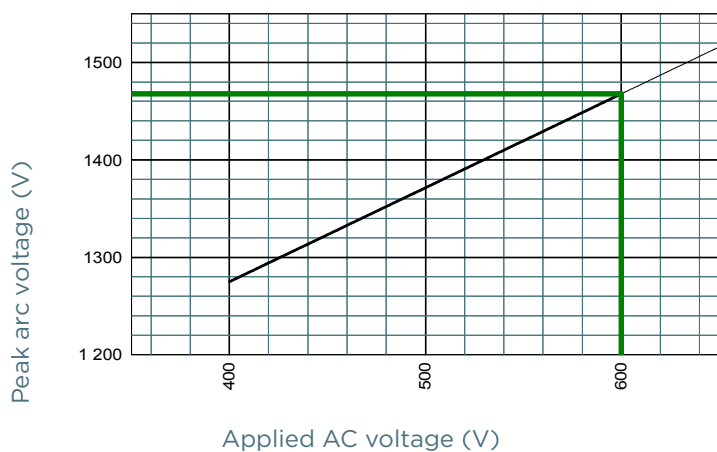
## POWER DISSIPATION

### Size 73 aR



## PEAK ARC VOLTAGE

### Size 73 aR 600V

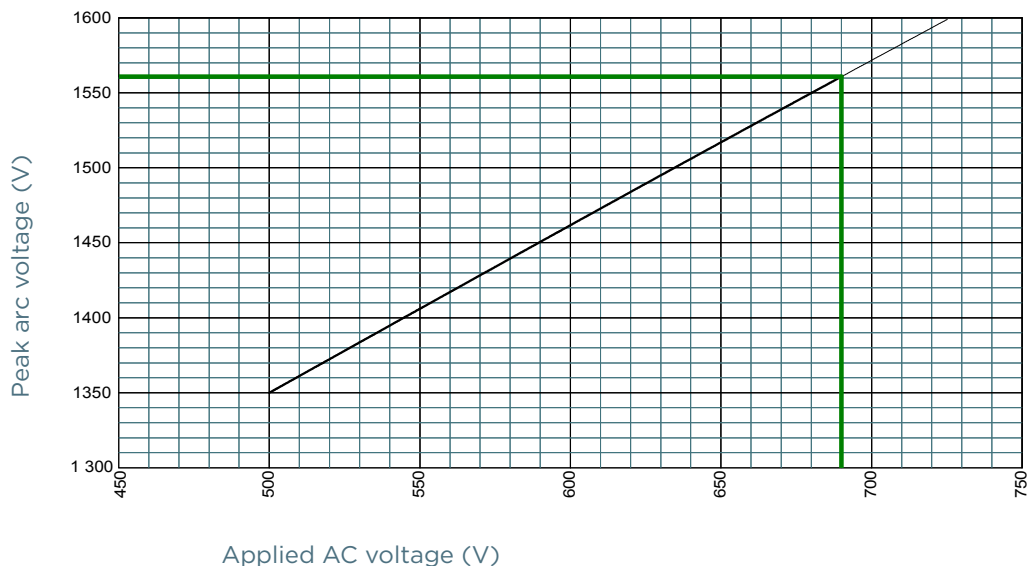


# Protistor® size 73 aR

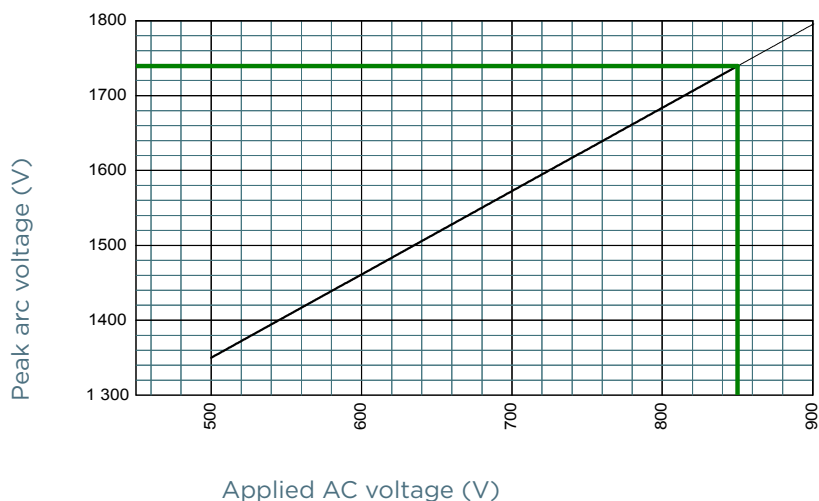
600 to 1250VAC (IEC) / 1300VAC (UL)

## PEAK ARC VOLTAGE

### Size 73 aR 690V



### Size 73 aR 850V

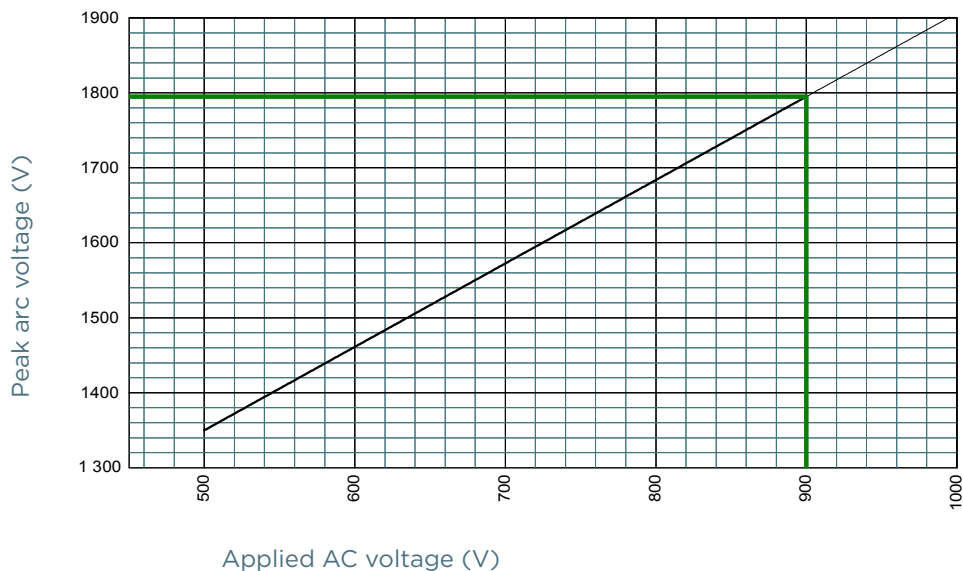


# Protistor® size 73 aR

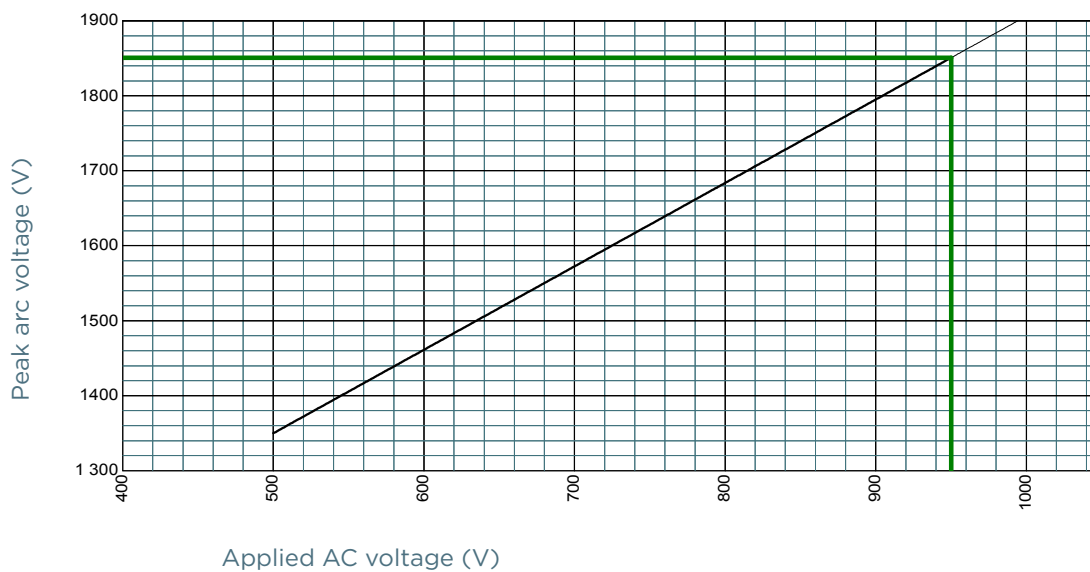
600 to 1250VAC (IEC) / 1300VAC (UL)

## PEAK ARC VOLTAGE

### Size 73 aR 900V



### Size 73 aR 950V

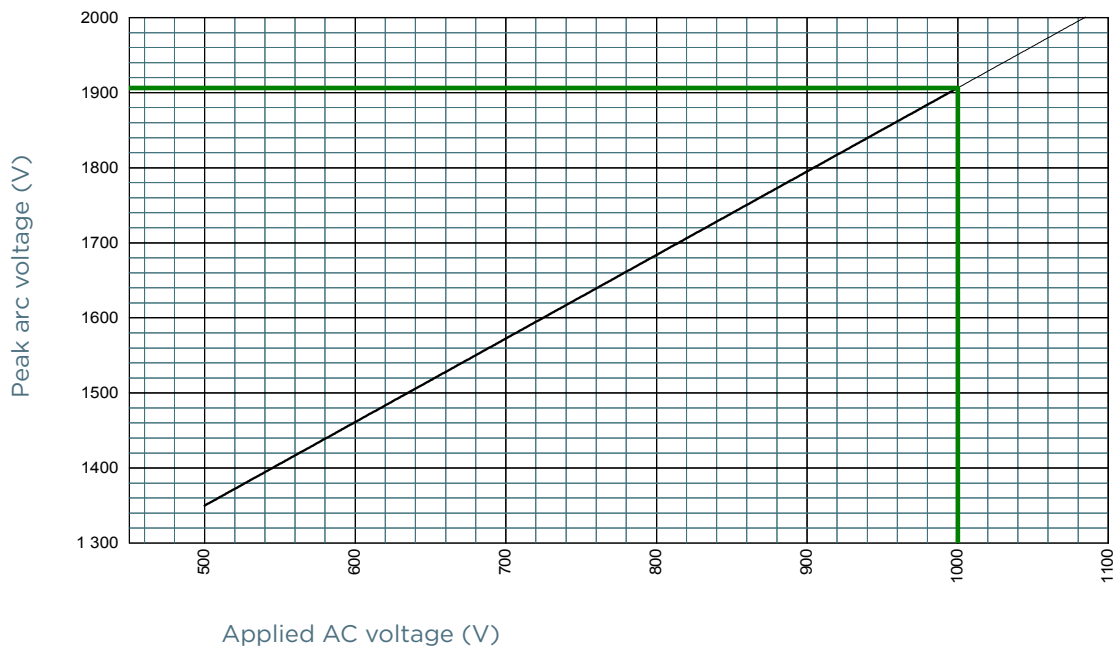


# Protistor® size 73 aR

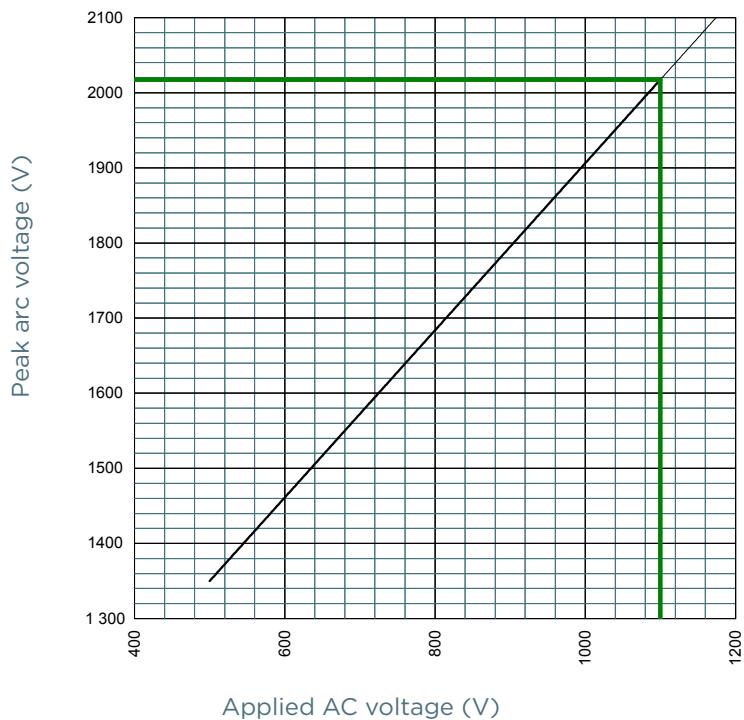
600 to 1250VAC (IEC) / 1300VAC (UL)

## PEAK ARC VOLTAGE

### Size 73 aR 1000V

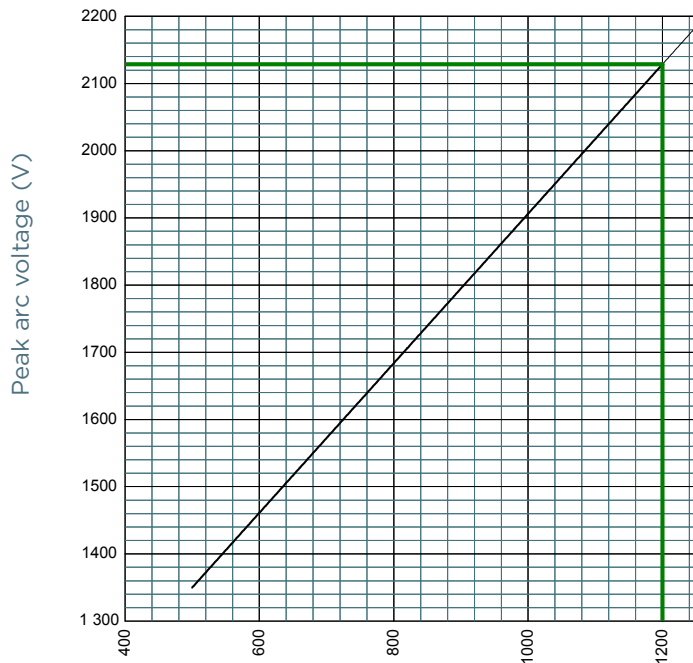


### Size 73 aR 1100V



## PEAK ARC VOLTAGE

### Size 73 aR 1200V



Applied AC voltage (V)

### Size 73 aR 1250V



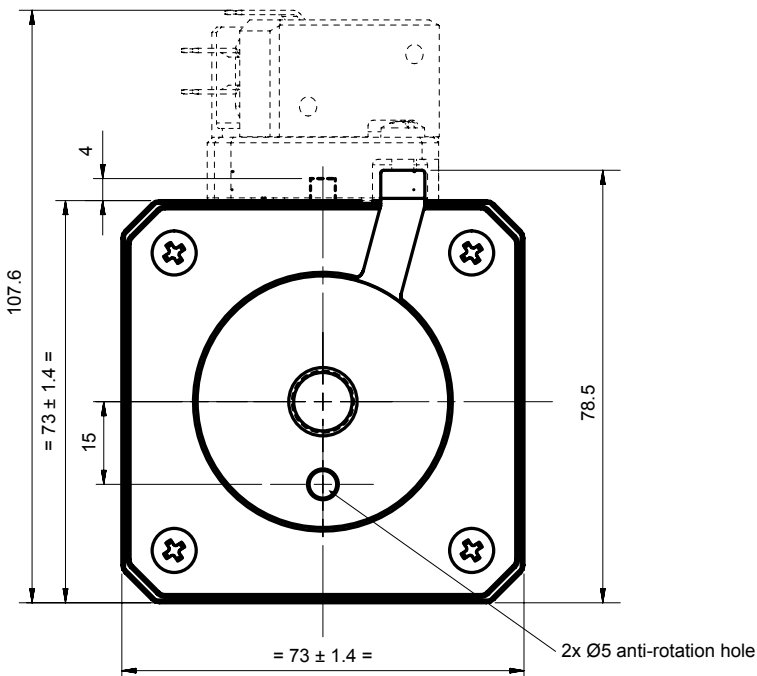
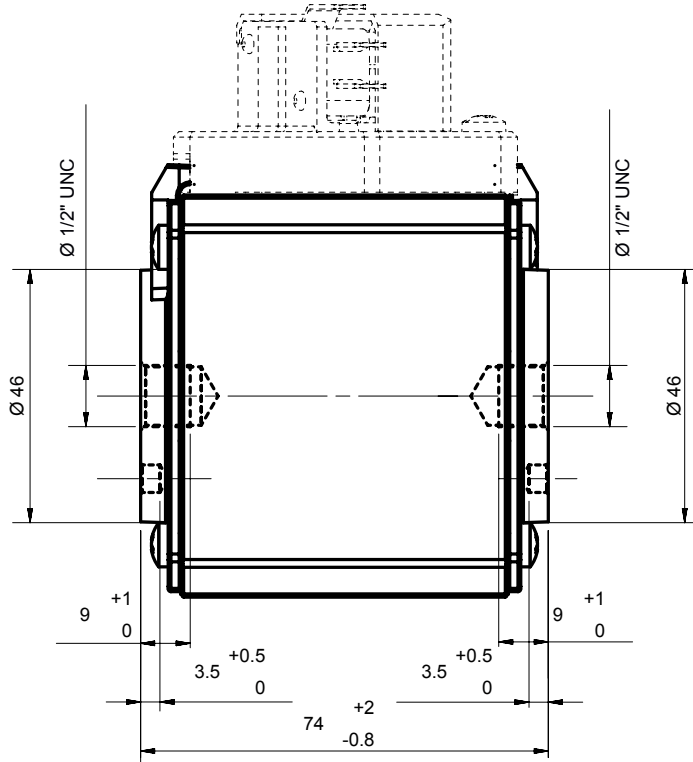
Applied AC voltage (V)

# Protistor® size 73 aR

600 to 1250VAC (IEC) / 1300VAC (UL)

## DIMENSIONS

size 73 aR type TTI (108460\_c)



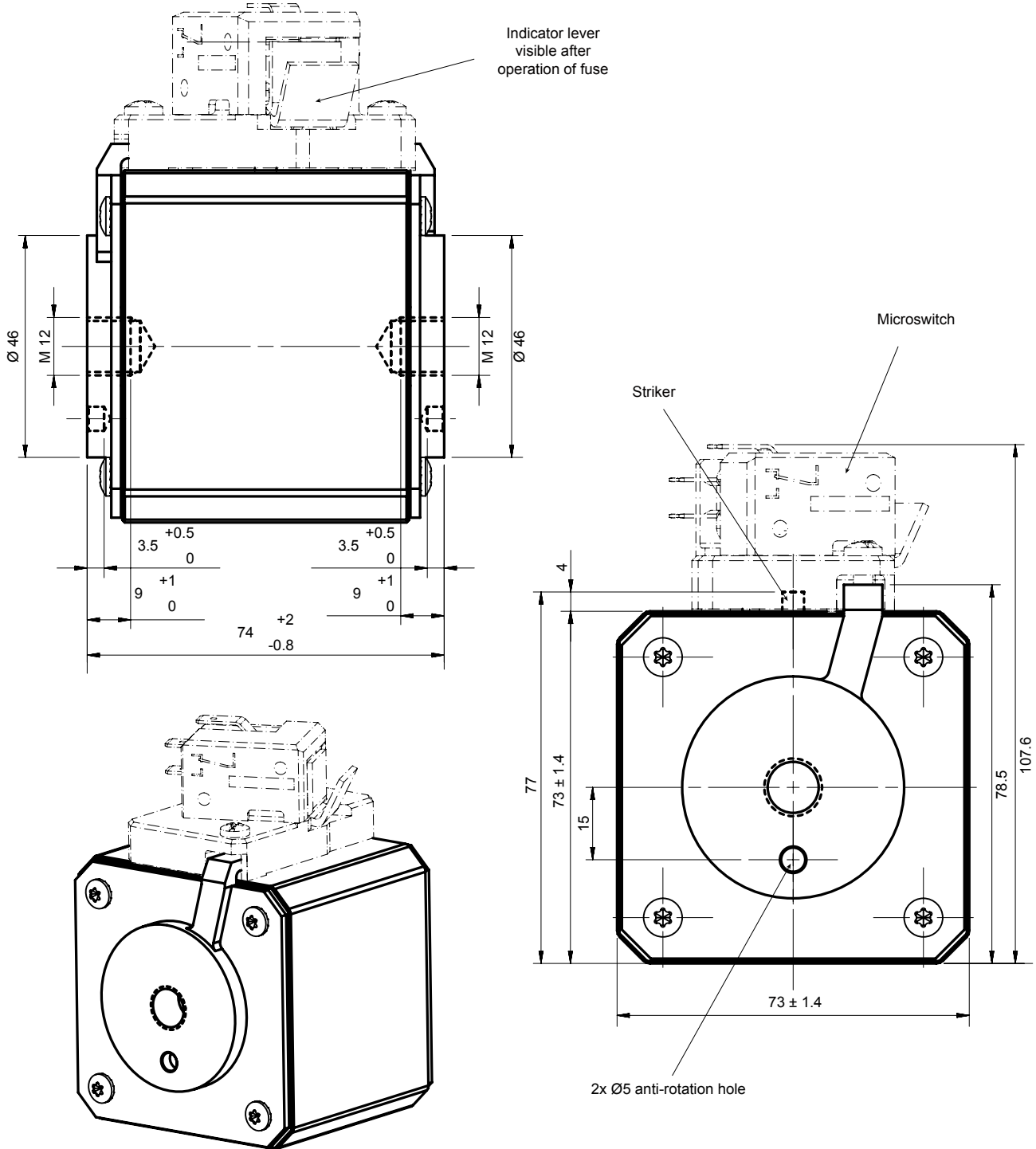
Dimensions in mm

# Protistor® size 73 aR

600 to 1250VAC (IEC) / 1300VAC (UL)

## DIMENSIONS

size 73 aR type TTF (105701\_B)



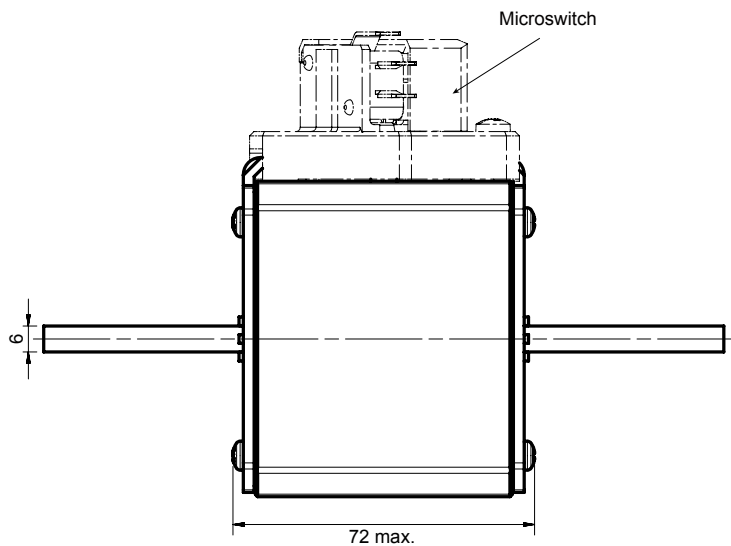
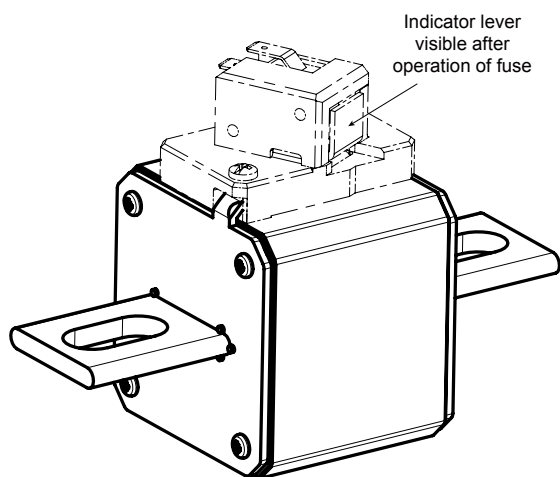
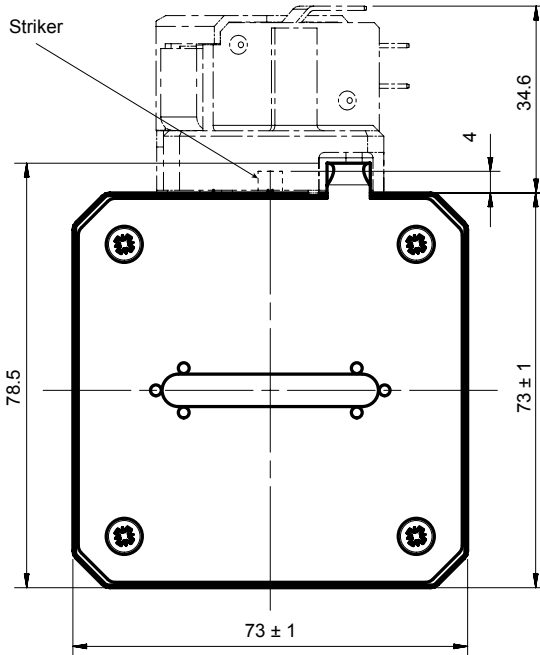
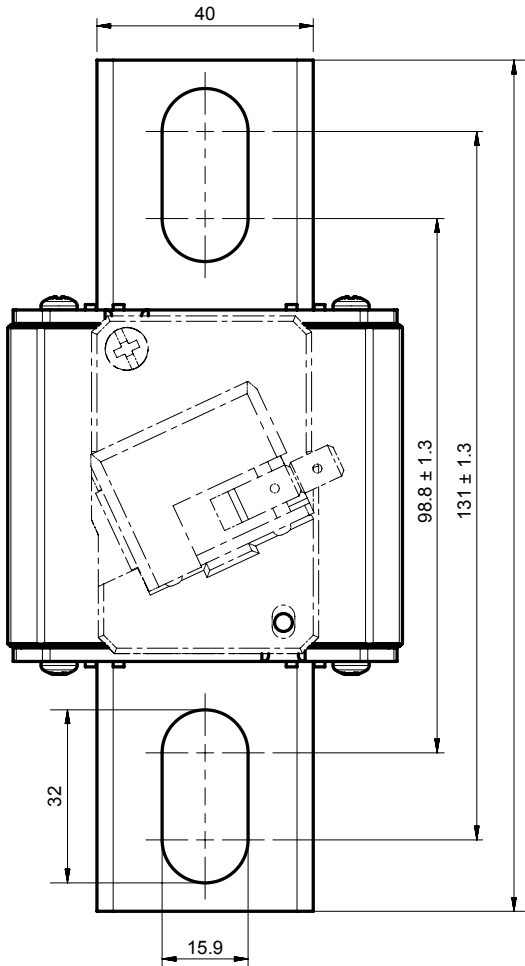
Dimensions in mm

# Protistor® size 73 aR

600 to 1250VAC (IEC) / 1300VAC (UL)

## DIMENSIONS

size 73 aR type LI (105924)



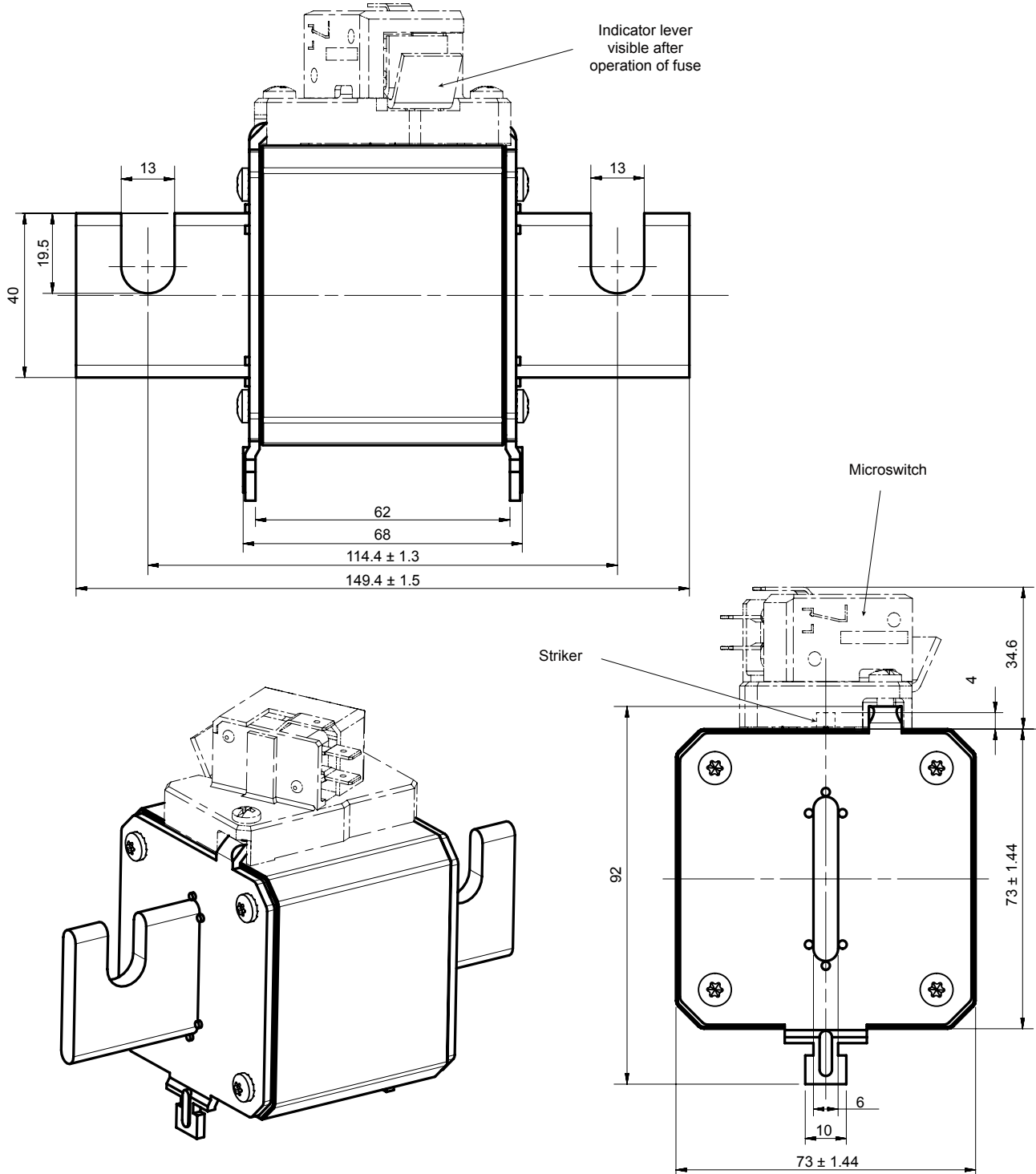
Dimensions in mm

# Protistor® size 73 aR

600 to 1250VAC (IEC) / 1300VAC (UL)

## DIMENSIONS

size 73 aR type EF (105882)



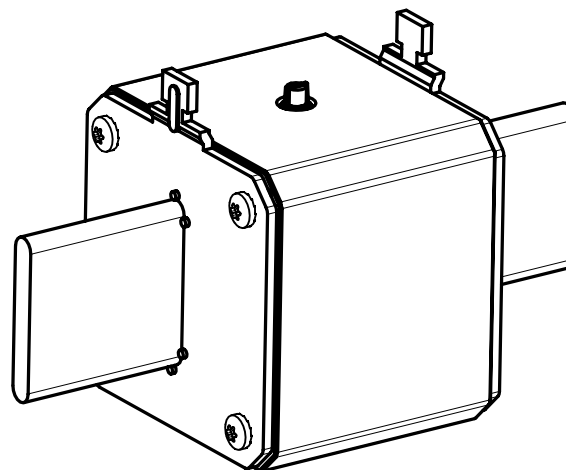
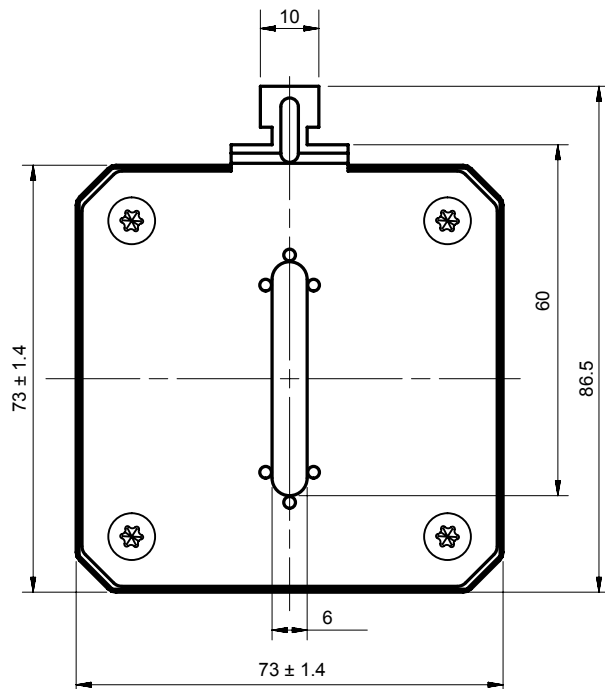
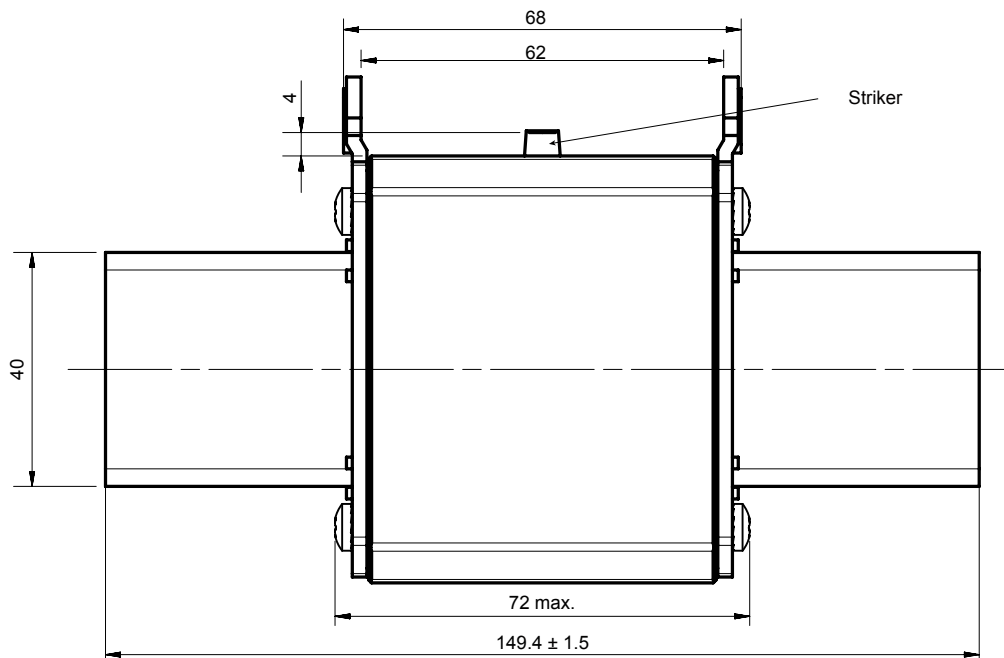
Dimensions in mm

# Protistor® size 73 aR

600 to 1250VAC (IEC) / 1300VAC (UL)

## DIMENSIONS

size 73 aR type PA (107132\_C)



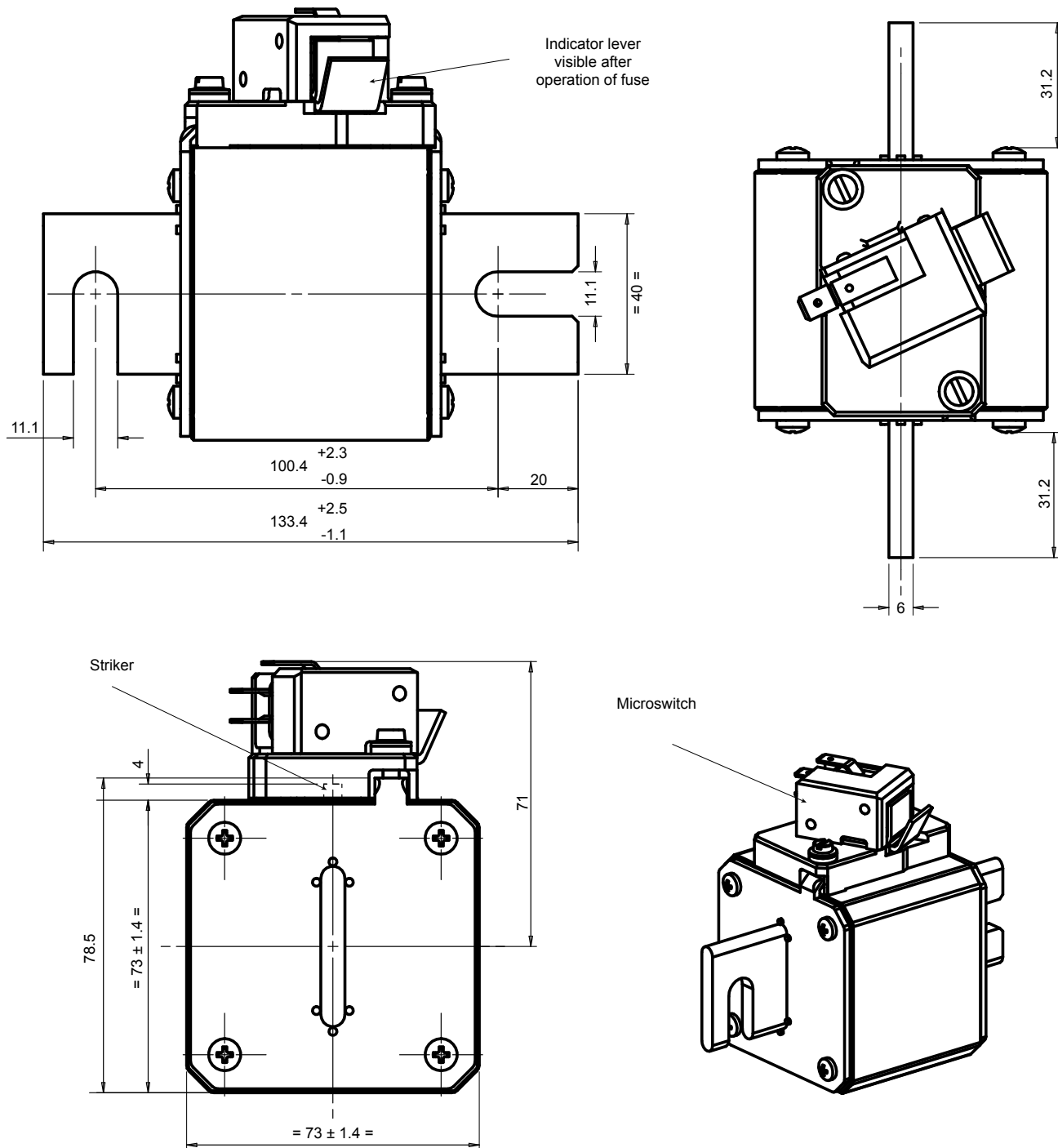
Dimensions in mm

# Protistor® size 73 aR

600 to 1250VAC (IEC) / 1300VAC (UL)

## DIMENSIONS

size 73 aR type DIN 110 (105714)



Dimensions in mm

# Protistor® size 73 aR

600 to 1250VAC (IEC) / 1300VAC (UL)

## APPENDIX

### Index

Catalog number	Item number	Description 1	Page
PC73UD13C315TF	J300503	12,5 URD 73 TT F 0315	2
PC73UD13C350TF	K300504	12,5 URD 73 TT F 0350	2
PC73UD13C400TF	L300505	12,5 URD 73 TT F 0400	2
PC73UD13C450TF	M300506	12,5 URD 73 TT F 0450	2
PC73UD13C500TF	N300507	12,5 URD 73 TT F 0500	2
PC73UD13C550TF	P300508	12,5 URD 73 TT F 0550	2
PC73UD13C630TF	Q300509	12,5 URD 73 TT F 0630	2
PC73UD13C700TF	R300510	12,5 URD 73 TTF 0700	2
PC73UD13C800TF	S300511	12,5 URD 73 TT F 0800	2
PC73UD12C900TF	T300512	12 URD 73 TT F 0900	2
PC73UD10C1000TF	V300513	10 URD 73 TT F 1000	2
PC73UD95V11CTF	W300514	9,5 URD 73 TT F 1100	2
PC73UD90V13CTF	T300696	9 URD 73 TT F 1250	2
PC73UD85V14CTF	S300718	8,5 URD 73 TT F 1400	2
PC73UD69V16CTF	B301301	6,9 URD 73 TTF 1600	2
PC73UD60V18CTF	C301302	6 URD 73 TTF 1800	2
A130UD73TTI315	Z301046	A 130 URD 73 TTI 0315	2
A130UD73TTI350	A301047	A 130 URD 73 TTI 0350	2
A130UD73TTI400	B301048	A 130 URD 73 TTI 0400	2
A130UD73TTI450	C301049	A 130 URD 73 TTI 0450	2
A130UD73TTI500	D301050	A130URD73TTI0500	2
A130UD73TTI550	E301051	A 130 URD 73 TTI 0550	2
A130UD73TTI630	F301052	A 130 URD 73 TTI 0630	2
A130UD73TTI700	G301053	A 130 URD 73 TTI 0700	2
A130UD73TTI800	H301054	A 130 URD 73 TTI 0800	2
A130UD73TTI900	T1013903	A 130 URD 73 TTI 0900	2
A110UD73TTI1000	K301056	A 110 URD 73 TTI 1000	2
A100UD73TTI1100	L301057	A 100 URD 73 TTI 1100	2
A100UD73TTI1250	M301058	A 100 URD 73 TTI 1250	2
A090UD73TTI1400	N301059	A 090 URD 73 TTI 1400	2
A070UD73TTI1600	Q300877	A 070 URD 73 TTI 1600	2
A065UD73TTI1800	R300878	A 065 URD 73 TTI 1800	2
PC73UD13C315D1A	A300564	12,5 URD 73 D11 A 0315	3
PC73UD13C350D1A	B300565	12,5 URD 73 D11 A 0350	3
PC73UD13C400D1A	C300566	12,5 URD 73 D11 A 0400	3
PC73UD13C450D1A	D300567	12,5 URD 73 D11 A 0450	3
PC73UD13C500D1A	E300568	12,5 URD 73 D11 A 0500	3
PC73UD13C550D1A	F300569	12,5 URD 73 D11 A 0550	3
PC73UD13C630D1A	G300570	12,5 URD 73 D11 A 0630	3
PC73UD12C700D1A	H300571	12 URD 73 D11 A 0700	3
PC73UD11C800D1A	J300572	11 URD 73 D11 A 0800	3
PC73UD10C900D1A	K300573	10 URD 73 D11 A 0900	3
PC73UD90V11CD1A	M300575	9 URD 73 D11 A 1100	3
PC73UD90V10CD1A	L300574	9 URD 73 D11 A 1000	3
A130UD73LI315	B300680	A 130 URD 73 LI 0315	3
A130UD73LI350	C300681	A 130 URD 73 LI 0350	3
A130UD73LI400	D300682	A 130 URD 73 LI 0400	3
A130UD73LI450	E300683	A 130 URD 73 LI 0450	3
A130UD73LI500	F300684	A 130 URD 73 LI 0500	3
A130UD73LI550	G300685	A 130 URD 73 LI 0550	3
A130UD73LI630	H300686	A 130 URD 73 LI 0630	3
A130UD73LI700	J300687	A 130 URD 73 LI 0700	3
A120UD73LI800	K300688	A 120 URD 73 LI 0800	3
A110UD73LI900	L300689	A 110 URD 73 LI 0900	3
A100UD73LI1000	M300690	A 100 URD 73 LI 1000	3

# Protistor® size 73 aR

600 to 1250VAC (IEC) / 1300VAC (UL)

## APPENDIX

### Index

Catalog number	Item number	Description 1	Page
A100UD73LI1100	N300691	A 100 URD 73 LI 1100	3
A100UD73LI1250	J301193	A 100 URD 73 LI 1250	3
A090UD73LI1400	K301194	A 090 URD 73 LI 1400	3
PC73UD13C315EF	V300628	12,5 URD 73 EF 0315	4
PC73UD13C350EF	W300629	12,5 URD 73 EF 0350	4
PC73UD13C400EF	X300630	12,5 URD 73 EF 0400	4
PC73UD13C450EF	Y300631	12,5 URD 73 EF 0450	4
PC73UD13C500EF	Z300632	12,5 URD 73 EF 0500	4
PC73UD13C550EF	A300633	12,5 URD 73 EF 0550	4
PC73UD13C630EF	B300634	12,5 URD 73 EF 0630	4
PC73UD12C700EF	C300635	12 URD 73 EF 0700	4
PC73UD11C800EF	D300636	11 URD 73 EF 0800	4
PC73UD10C900EF	E300637	10 URD 73 EF 0900	4
PC73UD90V10CEF	F300638	9 URD 73 EF 1000	4
PC73UD90V11CEF	G300639	9 URD 73 EF 1100	4
PC73UD13C450PA	X302976	12,5 URD 73 PA 0450	4
PC73UD13C500PA	S302719	12,5 URD 73 PA 0500	4
PC73UD13C550PA	Y302977	12,5 URD 73 PA 0550	4
PC73UD13C630PA	D300843	12,5 URD 73 PA 0630	4
PC73UD12C700PA	B301784	12 URD 73 PA 0700	4
PC73UD11C800PA	Z301966	11 URD 73 PA 0800	4
PC73UD10C900PA	F302685	10 URD 73 PA 0900	4
PC73UD90V10CPA	R302718	9 URD 73 PA 1000	4
PC73UD90V11CPA	Q302717	9 URD 73 PA 1100	4
PC73UD85V14CPA	G302686	8,5 URD 73 PA 1400	4
A090UD73PA1400	G302709	A 090 URD 73 PA 1400	4