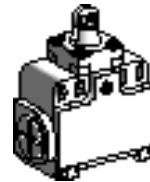


References, characteristics **Limit switches**

Double insulated, CENELEC EN 50047 compatible (1), type XCK-T
Complete switches with 2 cable entries for n° 11 cable glands

Type of operating head **Plunger**



Type of operator	Metal end plunger	Steel end plunger with elastomer boot	Thermoplastic roller plunger	Thermoplastic roller lever plunger. Horizontal actuation in 1 direction
------------------	-------------------	---------------------------------------	------------------------------	---

References (N/C contact with positive opening operation)

2-pole 1 N/C + 1 N/O snap action (XES-P3151)		XCK-T110 	XCK-T111 	XCK-T102 	XCK-T121
2-pole 1 N/C + 1 N/O break before make slow break (XEN-P3151)		XCK-T510 	XCK-T511 	XCK-T502 	XCK-T521
2-pole 1 N/O + 1 N/C make before break slow break (XEN-P3161)		XCK-T610 	XCK-T611 	XCK-T602 	XCK-T621
2-pole 1 N/C + 1 N/C simultaneous slow break (XEN-P3141)		XCK-T710 	XCK-T711 	XCK-T702 	XCK-T721
2-pole 1 N/O + 1 N/O simultaneous slow break (XEN-P3131)		XCK-T810 	XCK-T811 	XCK-T802 	XCK-T821
Weight (kg)	0.065	0.065	0.065	0.070	

Complementary characteristics not shown under General characteristics (page 32000/3)

Switch actuation	On end	By 30° cam	
Maximum actuation speed	0.5 m/s	0.3 m/s	1 m/s
Mechanical durability	15 million operating cycles	10 million operating cycles	15 million operating cycles
Minimum force for tripping	15 N	12 N	6 N
for positive opening	45 N	36 N	18 N
Cable entry	2 tapped entries for n° 11 cable glands conforming to NF C 68-300 (DIN Pg 11). Clamping capacity : 7 to 10 mm. (Switch supplied with 1 entry fitted with blanking plug).		

(1) Tripping/resetting points and fixing centres conform to CENELEC EN 50047.

Other versions Switches with gold flashed contacts.
Please consult your Regional Sales Office.

Limit switches

Double insulated, CENELEC EN 50047 compatible, type XCK-T
 Complete switches with 2 cable entries for n° 11 cable glands

Setting-up

Type of actuation
 XCK-Tp10



XCK-Tp11



XCK-Tp02

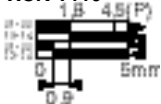


XCK-Tp21



Function diagrams

XCK-T110



XCK-T111



XCK-T102



XCK-T121



XCK-T510



XCK-T511



XCK-T502



XCK-T521



XCK-T610



XCK-T611



XCK-T602



XCK-T621



XCK-T710



XCK-T711



XCK-T702



XCK-T721



XCK-T810



XCK-T811



XCK-T802



XCK-T821

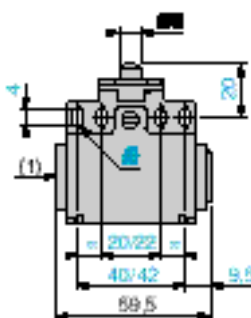
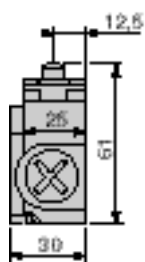


Contact operation
 G contact closed
 H contact open

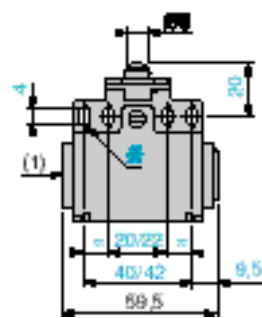
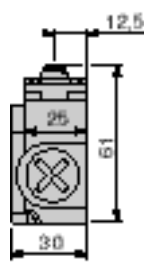
(A) = cam displacement
 (P) = positive opening point

Dimensions

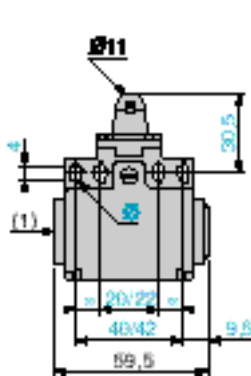
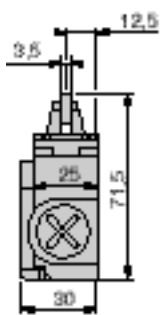
XCK-Tp10



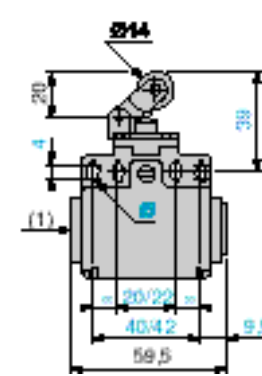
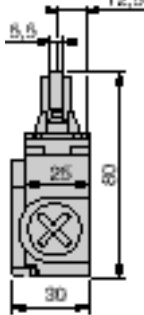
XCK-Tp11



XCK-Tp02



XCK-Tp21



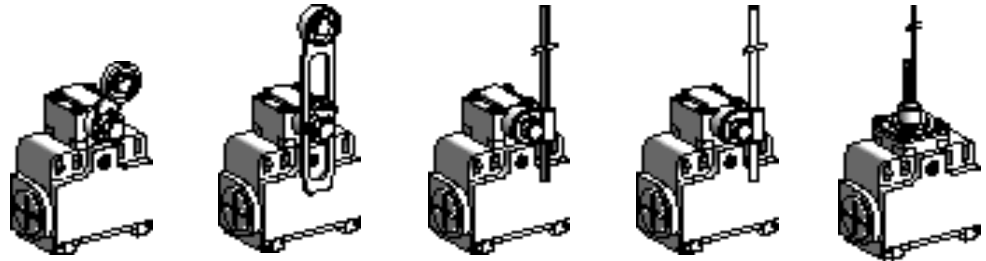
(1) 2 cable entries, tapped for n° 11 cable glands

Ø : 4 elongated holes Ø 4.3 x 8.3 on 22/42 centres, 4 holes Ø 4.3 on 20/40 ctrs.

References, characteristics **Limit switches**

Double insulated, CENELEC EN 50047 compatible (1), type XCK-T
Complete switches with 2 cable entries for n° 11 cable glands

Type of operating head	Rotary	Multi-directional
------------------------	--------	-------------------



Type of operator	Thermoplastic roller lever (2)	Variable length thermoplastic roller lever (3)	Square rod U 3 mm steel (3)	Round rod Ø 3 mm glass fibre (3)	"Cat's whisker"
(2) Adjustable throughout 360° in 5° steps, or in 90° steps by reversing the notched washer. (3) Adjustable throughout 360° in 5° steps.					

References N/C contact with positive opening operation

2-pole 1 N/C + 1 N/O snap action (XES-P3151)		XCK-T118	XCK-T145	XCK-T154	XCK-T155	XCK-T106
2-pole 1 N/C + 1 N/O break before make slow break (XEN-P3151)		XCK-T518	XCK-T545	XCK-T554	XCK-T555	XCK-T506
2-pole 1 N/O + 1 N/C make before break slow break (XEN-P3161)		XCK-T601+ZCK-Y18	XCK-T601+ZCK-Y45	XCK-T601+ZCK-Y54	XCK-T601+ZCK-Y55	XCK-T606
2-pole 1 N/C + 1 N/C simultaneous slow break (XEN-P3141)		XCK-T701+ZCK-Y18	XCK-T701+ZCK-Y45	XCK-T701+ZCK-Y54	XCK-T701+ZCK-Y55	XCK-T706
2-pole 1 N/O + 1 N/O simultaneous slow break (XEN-P3131)		XCK-T801+ZCK-Y18	XCK-T801+ZCK-Y45	XCK-T801+ZCK-Y54	XCK-T801+ZCK-Y55	XCK-T806
Weight (kg)		0.080	0.090	0.085	0.070	0.075

Complementary characteristics not shown under General characteristics (page 32000/3)

Switch actuation	By 30° cam		By any moving part		
Maximum actuation speed	1.5 m/s	1.5 m/s	1 m/s	1 m/s	1 m/s in any direction
Mechanical durability	10 million operating cycles				5 million operating cycles
Minimum torque for tripping	0.1 N.m				0.13 N.m
for positive opening	0.25 N.m	-			-
Cable entry	2 tapped entries for n° 11 cable glands conforming to NF C 68-300 (DIN Pg 11). Clamping capacity : 7 to 10 mm. (Switch supplied with 1 entry fitted with blanking plug).				

(1) Tripping/resetting points and fixing centres conform to CENELEC EN 50047.

Other versions Switches with gold flashed contacts.
Please consult your Regional Sales Office.

Limit switches

Double insulated, CENELEC EN 50047 compatible, type XCK-T
Complete switches with 2 cable entries for n° 11 cable glands

Setting-up

Type of actuation
XCK-Tp18, ZCK-Y18



XCK-Tp45, ZCK-Y45



XCK-Tp54, ZCK-Y54



XCK-Tp55, ZCK-Y55



XCK-Tp06

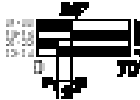


Function diagrams

XCK-T118



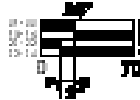
XCK-T145



XCK-T154



XCK-T155



XCK-T106



XCK-T518



XCK-T545



XCK-T554



XCK-T555



XCK-T506



XCK-T601+ZCK-Y18



XCK-T601+ZCK-Y45



XCK-T601+ZCK-Y54



XCK-T601+ZCK-Y55



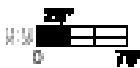
XCK-T606



XCK-T701+ZCK-Y18



XCK-T701+ZCK-Y45



XCK-T701+ZCK-Y54



XCK-T701+ZCK-Y55



XCK-T706



XCK-T801+ZCK-Y18



XCK-T801+ZCK-Y45



XCK-T801+ZCK-Y54



XCK-T801+ZCK-Y55



XCK-T806

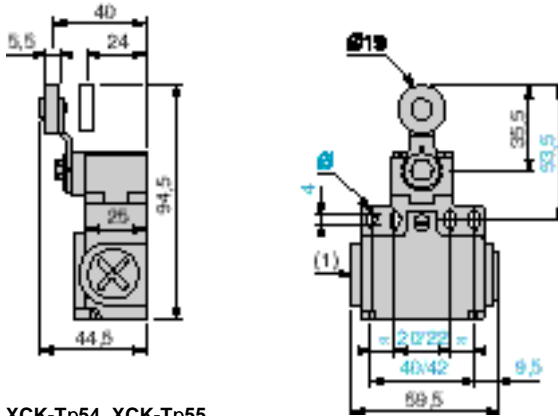


Contact operation
G contact closed
H contact open

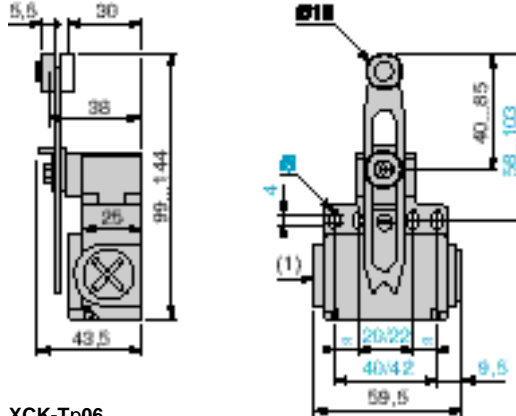
(P) = positive opening point

Dimensions

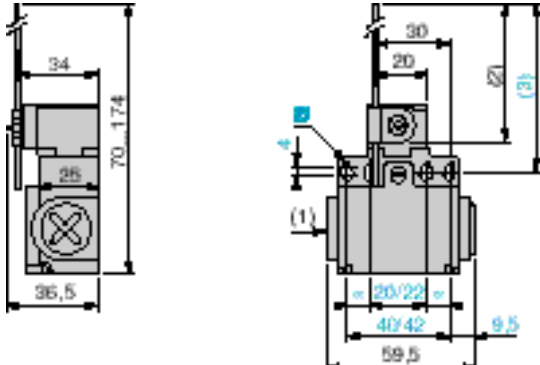
XCK-Tp18, XCK-Tp01 + ZCK-Y18



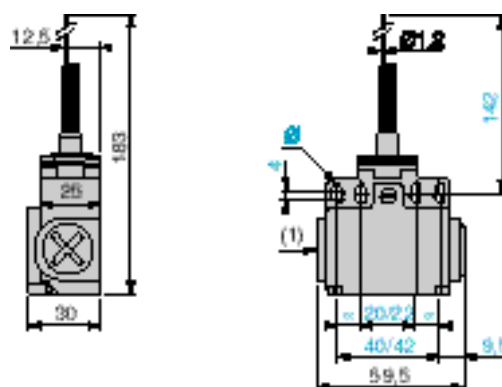
XCK-Tp45, XCK-Tp01 + ZCK-Y45



XCK-Tp54, XCK-Tp55,
XCK-Tp01 + ZCK-Y5p



XCK-Tp06



(1) 2 cable entries, tapped for n° 11 cable glands
(2) 115 max.

(3) 133 max.
Ø : 4 elongated holes Ø 4.3 x 8.3 on 22/42 centres, 4 holes Ø 4.3 on 20/40 ctrs