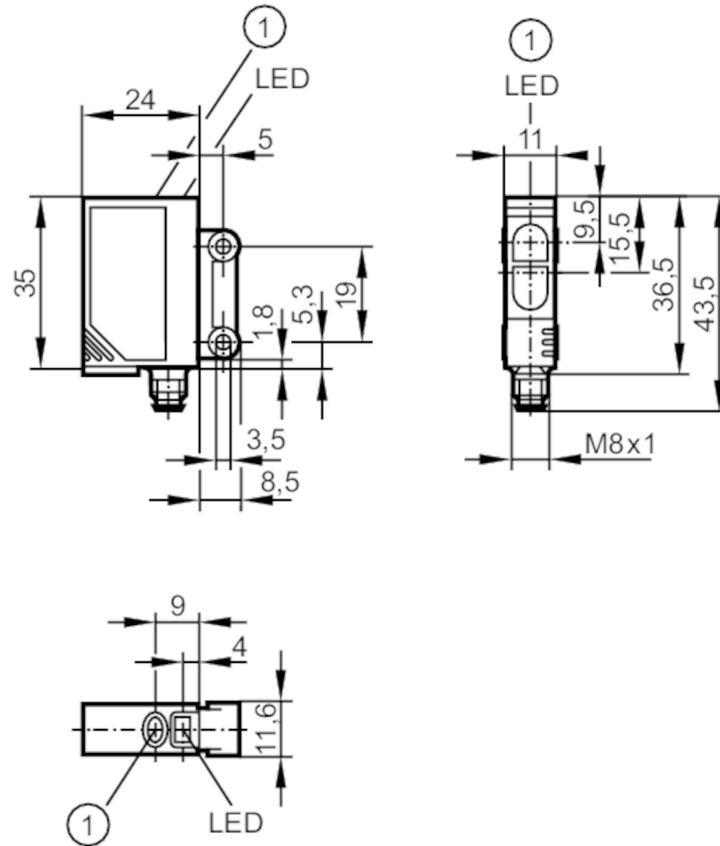




LASER diffuse reflection sensor

OJHLFPKG/SO/AS



- 1 pushbutton
Receiver in upper lens
transmitter in lower lens



Product characteristics

Type of light	red light
Laser protection class	1
Housing	rectangular

Application

System	Background suppression
Function principle	Diffuse reflection sensor

Electrical data

Operating voltage	[V]	10...30 DC
Current consumption	[mA]	13
Protection class		III
Reverse polarity protection		yes
Type of light		red light
Wave length	[nm]	650
Typ. lifetime	[h]	50000



LASER diffuse reflection sensor

OJHLFPKG/SO/AS

Outputs		
Electrical design		PNP
Output function		light-on/dark-on mode; (programmable)
Max. voltage drop switching output DC	[V]	2.5
Permanent current rating of switching output DC	[mA]	200
Switching frequency DC	[Hz]	1000
Short-circuit protection		yes
Type of short-circuit protection		yes (non-latching)
Overload protection		yes
Monitoring range		
Range	[mm]	7...150; (white paper 200 x 200 mm 90 % remission)
Range adjustable		yes
Diameter of the smallest detectable object	[mm]	0.8
Max. light spot diameter	[mm]	0.8
Background suppression available		yes
Operating conditions		
Ambient temperature	[°C]	-10...60
Protection		IP 67
Tests / approvals		
EMC		EN 60947-5-2
Laser protection class		1
Notes on laser protection	Caution:	Laser light
	laser class:	1
		EN / IEC60825-1:2007
		EN / IEC60825-1:2014
		Complies with 21 CFR 1040 except for deviations pursuant to Laser Notice No. 50, dated June 2007.
MTTF	[years]	501
Mechanical data		
Weight	[g]	40.6
Housing		rectangular
Dimensions	[mm]	35 x 11 x 24
Material		housing: ABS; LED window: SEPS; pushbutton: SEPS
Lens material		PMMA
Lens alignment		Side sensing
Displays / operating elements		
Display	Switching status	1 x LED, yellow
	Power	1 x LED, green
Electronic lock		yes

OJ5158



LASER diffuse reflection sensor

OJHLFPKG/SO/AS

Accessories

Items supplied	screws: 2
	spring washers: 2
	Nuts: 2

Remarks

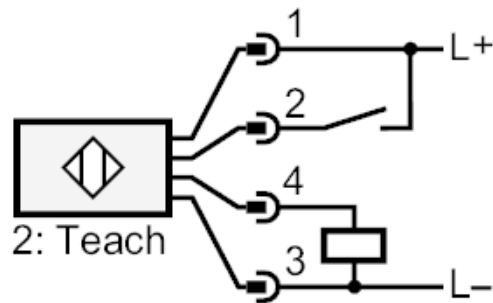
Remarks	cULus - Class 2 source required
Pack quantity	1 pcs.

Electrical connection

Connector: 1 x M8; coding: A



Connection



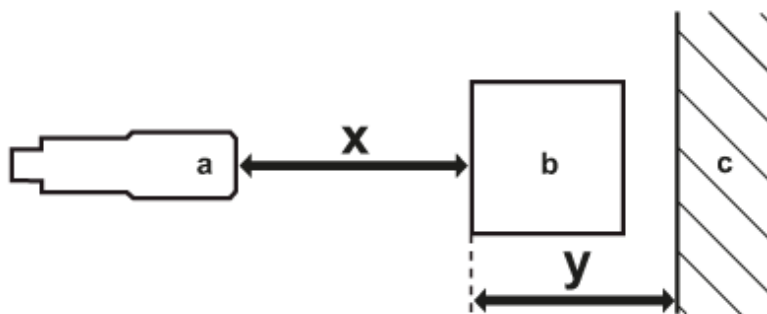
2 Teach



LASER diffuse reflection sensor

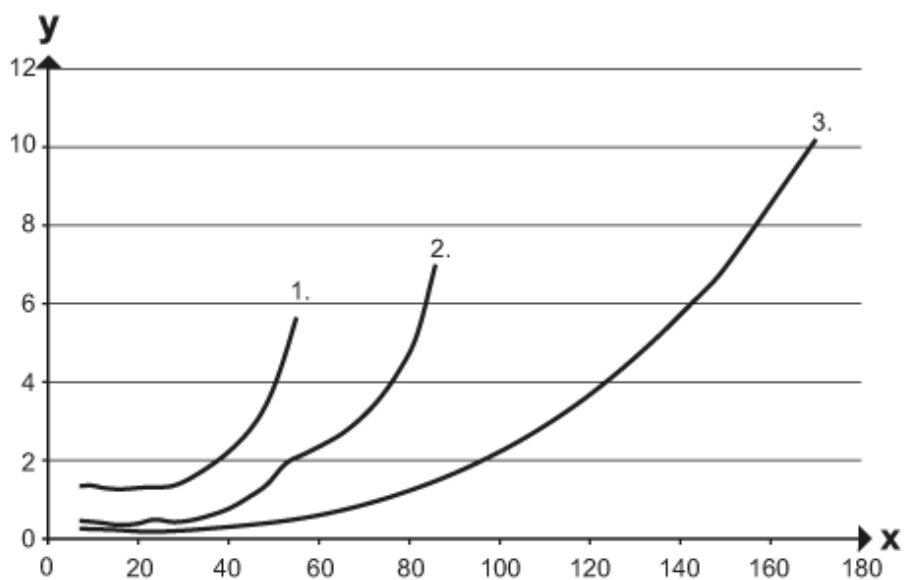
OJHLFPKG/SO/AS

Diagrams and graphs



- a: sensor
- b: object
- c: background
- x: distance sensor/object [mm]
- y: min. distance object/background [mm]

Background suppression chart



- x: distance sensor/object [mm]
- y: min. distance object/background [mm]
- 1 = object black (6 % remission) , background (white 90 % remission)
- 2 = object grey (18 % remission) , background (white 90 % remission)
- 3 = object white (90 % remission) , background (white 90 % remission)