



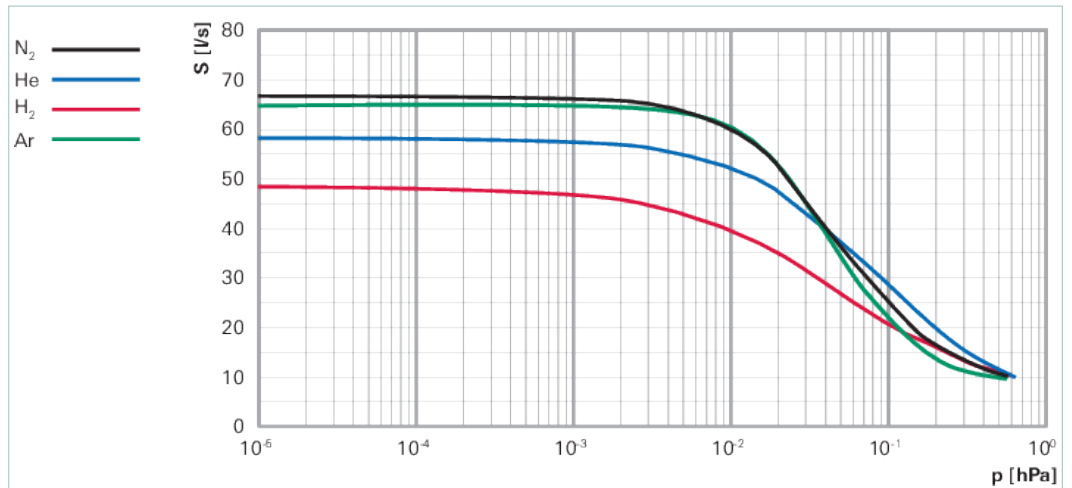
HiPace[®] 80 with TC 110, DN 63 CF-F



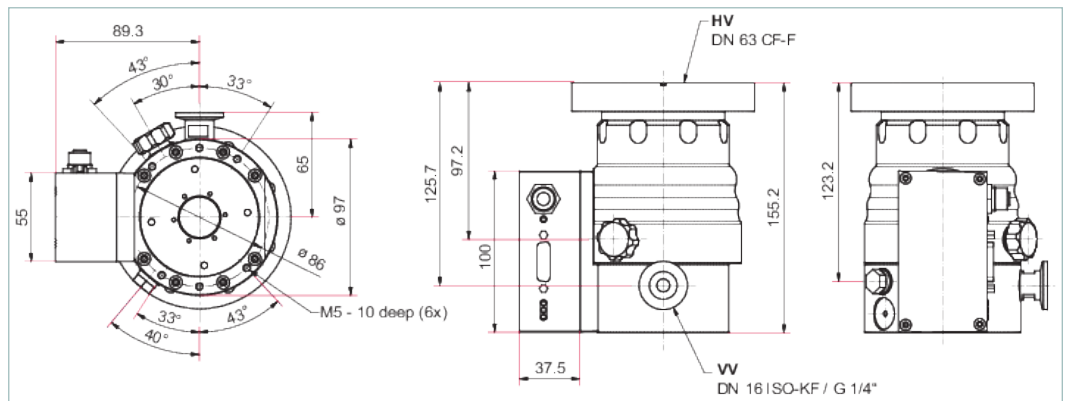
Similar Image

HiPace® 80 with TC 110, DN 63 CF-F

- Small yet powerful turbopump with a pumping speed of up to 67 l/s for N₂
- Integrated TC 110 drive electronics
- For installation in any orientation
- Ideal for dependable systems integration
- Extensive accessories expand the range of applications



Dimensions



Technical Data	HiPace® 80 with TC 110, DN 63 CF-F
Bearing	Hybrid
Compression ratio for Ar	$> 1 \cdot 10^{11}$
Compression ratio for H ₂	$1.4 \cdot 10^5$
Compression ratio for He	$1.3 \cdot 10^7$
Compression ratio for N ₂	$> 1 \cdot 10^{11}$
Connection flange (in)	DN 63 CF-F
Connection flange (out)	DN 16 ISO-KF/G 1/4"
Cooling method	Convection
Cooling method, optional	Air Water
Cooling water flow	75 l/h
Cooling water flow, max.	75 l/h
Cooling water flow, min.	75 l/h
Cooling water temperature	5-25 °C 41-77 °F 278-298 K
Current, max.	4,6 A

Technical Data	HiPace® 80 with TC 110, DN 63 CF-F
Electronic drive unit	with TC 110
Final pressure	< 5 · 10 ⁻¹⁰ hPa < 3.75 · 10 ⁻¹⁰ Torr < 5 · 10 ⁻¹⁰ mbar
Fore-vacuum max. for N ₂	22 hPa 16.5 Torr 22 mbar
Gas throughput at final rotation speed for Ar	0.54 hPa·l/s
Gas throughput at final rotation speed for H ₂	15.3 hPa·l/s
Gas throughput at final rotation speed for He	2.7 hPa·l/s
Gas throughput at final rotation speed for N ₂	1.3 hPa·l/s
I/O interfaces	RS-485, Remote
Mounting orientation	Arbitrary
Operating voltage: V DC	24 (± 5 %) V DC
Permissible radial magnetic field max.	3.8 mT
Power consumption max.	110 W
Pumping speed for Ar	66 l/s
Pumping speed for H ₂	48 l/s
Pumping speed for He	58 l/s
Pumping speed for N ₂	67 l/s
Rotation speed ± 2 %	90,000 rpm 90,000 min ⁻¹
Rotation speed variable	50 – 100 %
Run-up time	1.7 min
Sound pressure level	≤48 dB(A)
Venting connection	G 1/8"
Weight	3.8 kg 8.38 lb

Order number	
HiPace® 80	PM P03 941

Accessories	
Adapters (electrical) Remote	
Housing for plug, spraywater-protected, 15-pole, D-Sub	P 0998 016
D-Sub mains power plug, 15-pin, straight outgoing cable	P 4723 110
D-Sub mains power plug, 15-pin, angled outgoing cable	P 4723 111
TCS 11, adapter for TC 110/120 with RS-485 interface	PM 061 636 -U
TCS 12, adapter for TC 110/120 with interface RS-485, 4 accessory ports and coupling set	PM 061 638 -U
TCS 13, adapter for TC 110/120 with interface RS-485, 2 accessory ports and coupling set	PM 061 856 -U
Adapters (electrical) RS-232/485	
Y-connector M12 for RS-485	P 4723 010
USB RS-485 converter	PM 061 207 -T
Coupling M12 for RS-485	PM 061 270 -X
Terminal resistor for RS-485	PT 348 105 -T
Power separator for RS-485	PT 348 132 -T
Cables Backing pump control cables	
HiPace – ACP connection cable	PM 071 142 -X
Connection cable MVP-TC-TPS, 3 m	PE 100 013 -T
Cables Connection cables	
Connecting cable from 24V/48V power supply pack to electronic drive unit. With RS-485 interface	PM 061 350 -T
Connection cable with RS-485 interface and 2 accessory ports for TC110/120 to power supply pack	PM 061 351 -T
Connection cable TPS 180 - MVP 006-4 with HiPace 80/HiPace 10, 2 x 0.5 m	PM 061 399 -T
Connection cable with RS-485 interface and 3 accessory ports for TC110/120 to power supply pack	PM 061 512 -T
Connection cable for HiPace with TC 110/120	PM 061 543 -T
Connection cable incl. 2 accessory ports for TC 110/120 to power supply pack	PM 061 552 -T
Cables Extension cables	
Extension cable M8 on M8	PM 061 783 -T
Cables Mains cables / Power cords	
Mains cable 230 V AC, CEE 7/7 to C13, 3 m	P 4564 309 ZA
Mains cable 115 V AC, NEMA 5-15 to C13, 3 m	P 4564 309 ZE
Mains cable 208 V AC, NEMA 6-15 to C13, 3 m	P 4564 309 ZF
Cables RS-485 Interface cables	
Interface cable, M12 m straight / M12 m straight, 3 m	PM 061 283 -T
Interface cable, M12 m straight / M12 m angled, 0.7 m	PM 061 791 -T
CF, double acting, metric, reed switch, 24 V DC control valve	
UHV gate valve, DN 63 CF, metric, electro-pneumatic, PI (RS)/PV 24 V DC, SS/Cu/FKM	GVMP-S06542
Connections Connection kits for mounting of pumps	
Connection kit for mounting of pumps, DN 16 ISO-KF	120SWS016-1000

Accessories	
Control Devices Backing pump	
Relay box for backing pumps, single phase 20 A for TC 110/120 and TCP 350, plug M8	PM 061 373 -T
Relay box, shielded, for backing pumps, 1-phase 7A for TC 110/120 and TCP 350, plug M8	PM 071 282 -X
Control Devices Power supplies and control displays	
Accessories package for HPU 001/PC	PM 061 005 -T
TPS 110, power supply pack for wall/standard rail installation	PM 061 340 -T
TPS 180, power supply pack for wall/standard rail installation	PM 061 341 -T
TPS 111, power supply pack 19" plug-in unit 3HU	PM 061 344 -T
TPS 181, power supply pack 19" plug-in unit 3HU	PM 061 345 -T
Front panel kit for TPS 111	PM 061 393 -T
Front panel kit for TPS 181	PM 061 394 -T
OmniControl 200, rack unit with integrated power supply pack	PE D52 000 0
OmniControl 200, table unit with integrated power supply pack	PE E52 110 0
Cooling Air cooling	
Air cooling for HiPace 60 P, HiPace 80 and SplitFlow 50/80 with TC 110/120	PM Z01 300
Air cooling for HiPace 60/80, SplitFlow 50/80, 230 V	PM Z01 343
Air cooling for HiPace 60 P and 80, SplitFlow 50/80, 115 V	PM Z01 344
Air cooling, shielded	PM Z01 369
Cooling Water cooling	
Water cooling for HiPace 60 P / 80 / 350 / 450 and for SplitFlow 50 / 80 with push-in fitting, 8 mm	PM 016 623 -T
Water cooling for HiPace 30 HiPace 80 mini with push-in fitting, 8 mm	PM 016 847 -T
FKM cut from sheet material	
Elastomer seal, FKM, DN 63 CF	402DFL063-S2
FKM with centering lip; heat-molded	
Elastomer seal, FKM, DN 63 CF	402DFL063-Z
Heating Heating jackets	
Heating sleeve for HiPace® 80 with TC 110, 230 V AC, safety plug	PM 061 360 -T
Heating sleeve for HiPace® 80 with TC 110, 208 V AC, ul plug	PM 061 361 -T
Heating sleeve for HiPace® 80 with TC 110, 115 V AC, ul plug	PM 061 362 -T
Monitoring Pressure Sensors	
OmniControl 200, table unit with integrated power supply pack	PE E52 100 0
OmniControl 200 with PKR 361, 25 KF	PT 440 955 -T
Mounting CF-F, Mounting kits	
Hexagon screw set for flanges with through holes, DN 63 CF-F	PM 016 683 -T
Set of stud screws for flanges with a threaded hole, DN 63 CF-F	PM 016 684 -T
Set of stud screws for flanges with through-hole, DN 63 CF-F	PM 016 733 -T
OFHC Copper (Oxygen Free)	
Copper gasket, OFHC copper, DN 63 CF	490DFL063-S10

Accessories	
OFHC Copper (Oxygen Free), Silver-plated	
Copper gasket, silver-plated, DN 63 CF	490DFL063-S-S5
OFHC Copper (Oxygen Free), Silver-plated, Vacuum-annealed	
Copper gasket, silver-plated, vacuum-annealed, DN 63 CF	490DFL063-S-G-S5
OFHC Copper (Oxygen Free), Vacuum-annealed	
Copper gasket, vacuum-annealed, DN 63 CF	490DFL063-G-S5
Protection CF-F, splinter shields, protection screens	
Splinter shield for Pfeiffer Vacuum turbopumps	PM 016 312
Protection screen for DN 63 CF-F	PM 016 333
Protection Sealing gas throttles	
Sealing gas throttle for HiPace 30/60/80	PM Z01 316
Valves Fore-vacuum safety valves	
TVV 001, fore-vacuum safety valve, 230 V AC	PM Z01 205
TVV 001, fore-vacuum safety valve, 115 V AC	PM Z01 206
Valves Sealing gas valves, shielded (normally closed)	
Sealing gas valve, shielded for HiPace 30/60/80 with TC 110	PM Z01 310
Venting Power failure venting units (normally open)	
Shielded power failure venting unit, 24 V DC, G 1/8", for connection to TC 110/120	PM Z01 330
Venting Venting accessories	
Flange with pipe thread, DN 16 ISO-KF, G 1/8"	PM 016 780 -T
Push-in fitting for 6 mm tube, G 1/8"	PM 016 781 -T
Push-in fitting for 8 mm tube, G 1/8"	PM 016 782 -T
Hose nozzle for 9 mm hose, G 1/8"	PM 016 783 -T
Banjo fitting	PM 016 787 -T
Screw-in flange, DN 10 ISO-KF, G 1/8"	PM 033 737 -T
Banjo fitting, small	PM 143 877 -T
TTV 001, Drier for venting turbopumps	PM Z00 121
Venting Venting valves (normally closed)	
Venting valve, shielded, 24 V DC, G 1/8", for connection to TC 110/120	PM Z01 290
Venting valve, 24 V DC, G 1/8" without cable	PM Z01 293
Vibration Reduction Vibration dampers	
Vibration damper for HiPace 60/80, DN 63 CF-F	PM 006 801 -X

VACUUM SOLUTIONS FROM A SINGLE SOURCE

Pfeiffer Vacuum stands for innovative and custom vacuum solutions worldwide, technological perfection, competent advice and reliable service.

COMPLETE RANGE OF PRODUCTS

From a single component to complex systems:

We are the only supplier of vacuum technology that provides a complete product portfolio.

COMPETENCE IN THEORY AND PRACTICE

Benefit from our know-how and our portfolio of training opportunities!

We support you with your plant layout and provide first-class on-site service worldwide.

Are you looking for a
perfect vacuum solution?
Please contact us:

Pfeiffer Vacuum GmbH
Headquarters · Germany
T +49 6441 802-0
info@pfeiffer-vacuum.de

www.pfeiffer-vacuum.com

All data subject to change without prior notice.

PFEIFFER  **VACUUM**