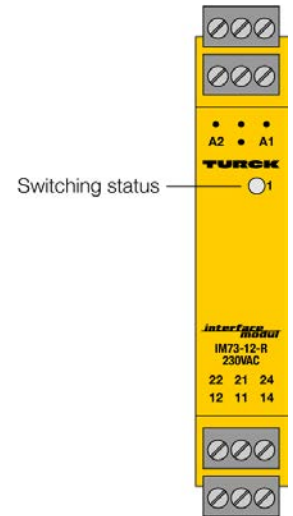
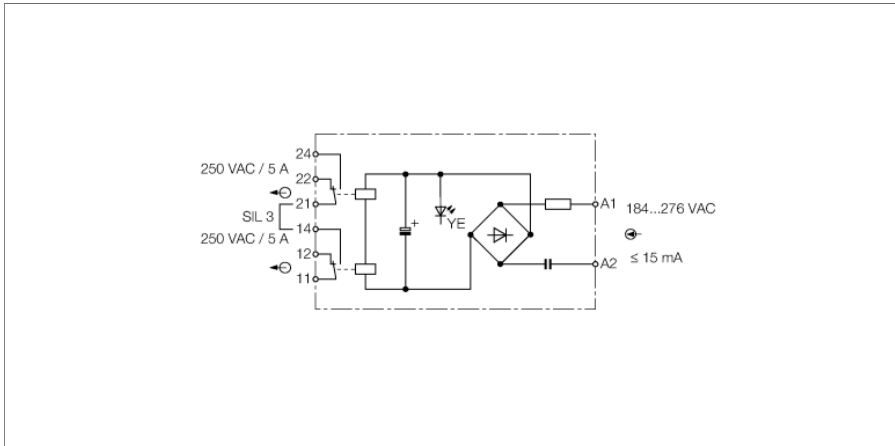


**Relay coupler
1-channel
IM73-12-R/230VAC**



The 1-channel relay coupler IM73-12-R/230VAC is used as a coupling module, to ensure reliable galvanic separation of binary signals.

Two synchronous controlled relays, each with one changeover contact are provided at the output.

If applied in SIL-3 circuits, the following conditions have to be observed:

- If the output relay triggers a contactor directly, the contactor must be equipped with a protective circuitry at the coil connection.
- Both relays have to be connected in series.
- The contact circuit is equipped with a fuse and is activated when 60 % of the nominal current are achieved.

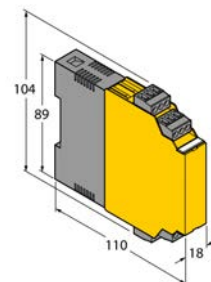
The status of the relay is indicated via LED at the front.

- **Output circuit: 2 relays each with a changeover contact**
- **5 A switching current at 250 VAC**
- **Operating voltage 184...276 VAC**
- **Removable terminal blocks**
- **SIL3**
- **Galvanic separation of input and output circuit**

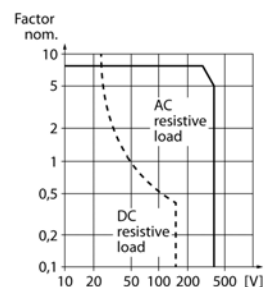
**Relay coupler
1-channel
IM73-12-R/230VAC**

Type	IM73-12-R/230VAC
Ident-No.	7520511
Ident-No (TUSA)	M7520511
Nominal voltage	230VAC
Operating voltage	184...276 VAC
Frequency	48...62 Hz
Power consumption	≤ 3.5 VA
Current input	15 mA
Output circuits (digital)	2 x relay (change-over)
Relay switching voltage	≤ 250 VAC
Switching current per output	≤ 5 A
Switching capacity per output	≤ 2000 VA/180 W
Switching frequency	≤ 5 Hz
Contact quality	AgNi, 3μ Au
Galvanic separation	
Test voltage	2.5 kV
Rated voltage	250 V
Approval	SIL 3
Indication	
Switching state	yellow
Protection class	IP20
Ambient temperature	-25...+70 °C
Storage temperature	-40...80°C
Dimensions	104 x 18 x 110 mm
Weight	111 g
Mounting instruction	For mounting on DIN rail or mounting panel
Housing material	Polycarbonate/ABS
Electrical connection	4 x 3-pole removable terminal blocks, reverse polarity protected, screw connection
Terminal cross-section	1 x 2.5 mm ² / 2 x 1.5 mm ²

Dimensions



load curve



**Relay coupler
1-channel
IM73-12-R/230VAC**

Accessories

Type code	Ident-No.	Short text	Dimension drawing
IM-CC-3X2BK/2BK	7541218	Cage clamps for IM modules (non-Ex devices, width 18 mm): 4 black, 3-pin, included in delivery	