

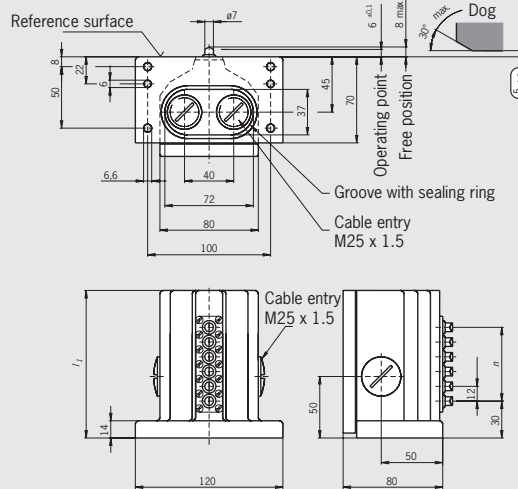
Series RGBF...AM 12 mm mechanical

- ▶ With exterior diaphragm
- ▶ Plunger spacing 12 mm
- ▶ Upright housing according to DIN 43697
- ▶ Degree of protection IP67 according to IEC 60529



Series RGBF... AM mechanical Plunger spacing 12 mm

Dimension drawing illustration with chisel plunger, plunger type dependent on version



Exterior diaphragm

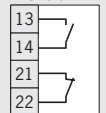
The exterior diaphragm protects the plunger guide against the entry of very fine dust (dust from grinding casting, glass, etc.) and prevents the plunger seizing. At the same time, plunger sticking, caused by resinous lubricating coolants, can be prevented by this exterior diaphragm version.

Switching elements

- ▶ **ES 502 E** Snap-action switching element
1 NC + 1 NO
- ▶ **ES 514** Snap-action switching element
1 NC ⊕ +1 NO

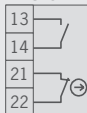
Switching elements

ES 502 E



Snap-action switching element

ES 514



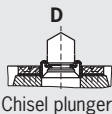
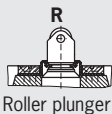
Snap-action switching element (on request)

Plunger types	D	R	
	Chisel	Roller (plain bearing)	
Operating point accuracy ¹⁾	± 0.002	± 0.01	mm
Approach speed, max. ²⁾	20	50	m/min

1) The reproducible operating point accuracy refers to the axial travel of the plunger after the switching element ES 502 E has been run-in with approx. 2000 operating cycles
2) The approach speed specified applies in conjunction with EUCHNER trip dogs according to DIN 69639

LED function display possible on request.

n Number of plungers	Plunger spacing 12 mm	
	I_1	Housing material
2	70	Die-cast aluminum, anodized
3	80	
4	90	
5	105	
6	120	
8	140	

Plunger type	Number of plungers	Order No./Item	
 Chisel plunger	2	082325 RGBF 02 D 12 -502 AM -M	
	3	088365 RGBF 03 D 12 -502 AM -M	
	4	082326 RGBF 04 D 12 -502 AM -M	
	5	088366 RGBF 05 D 12 -502 AM -M	
	6	087097 RGBF 06 D 12 -502 AM -M	
	8	087135 RGBF 08 D 12 -502 AM -M	
	 Roller plunger	2	087098 RGBF 02 R 12 -502 AM -M
		3	088364 RGBF 03 R 12 -502 AM -M
4		082327 RGBF 04 R 12 -502 AM -M	
5		087099 RGBF 05 R 12 -502 AM -M	
6		087100 RGBF 06 R 12 -502 AM -M	
8		085730 RGBF 08 R 12 -502 AM -M	